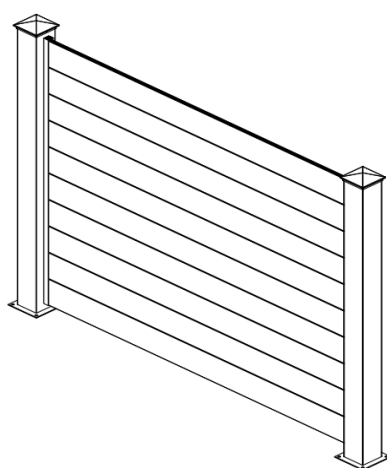
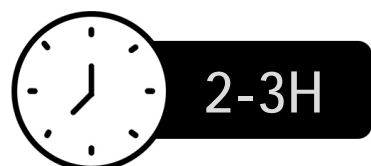


# CASANCOV

## NIESEN 190H170



KIT-000106



KIT-000106

COM-000190 [x1]

COM-000191 [x1]

FR

EN

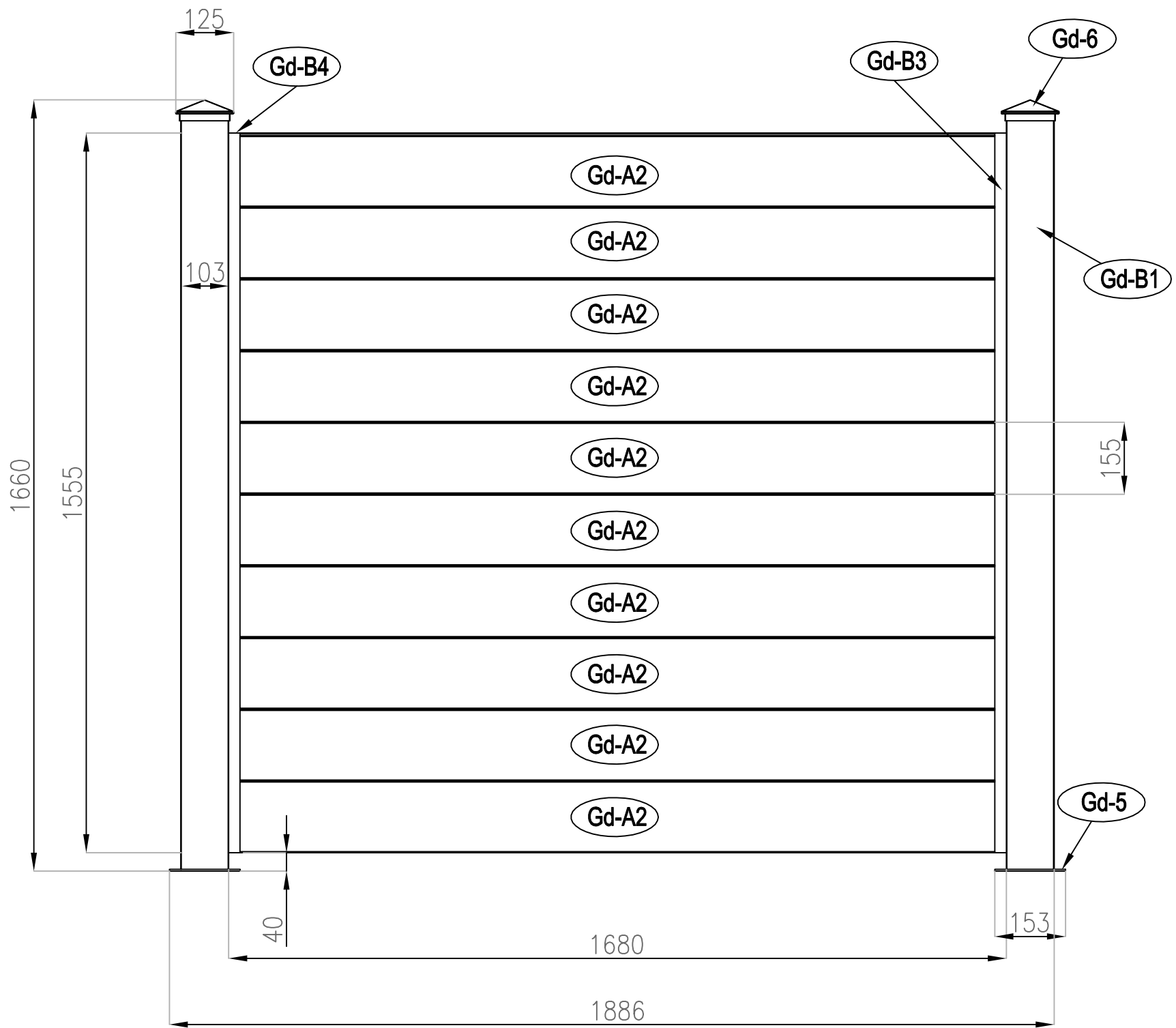
ES

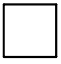
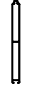
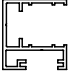

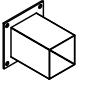




DE

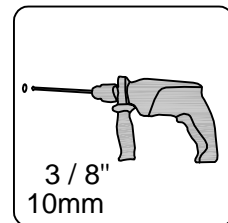
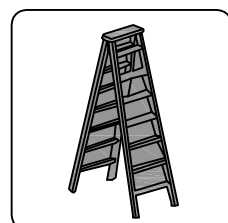
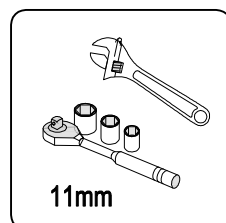
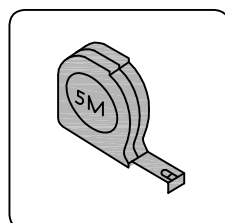
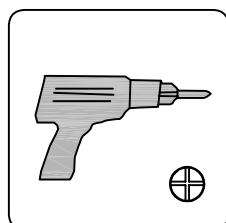
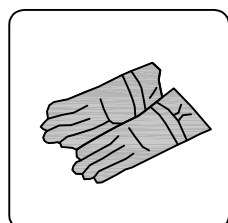
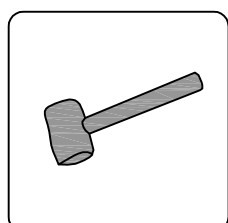
IT

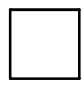
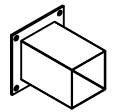
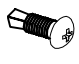
NL

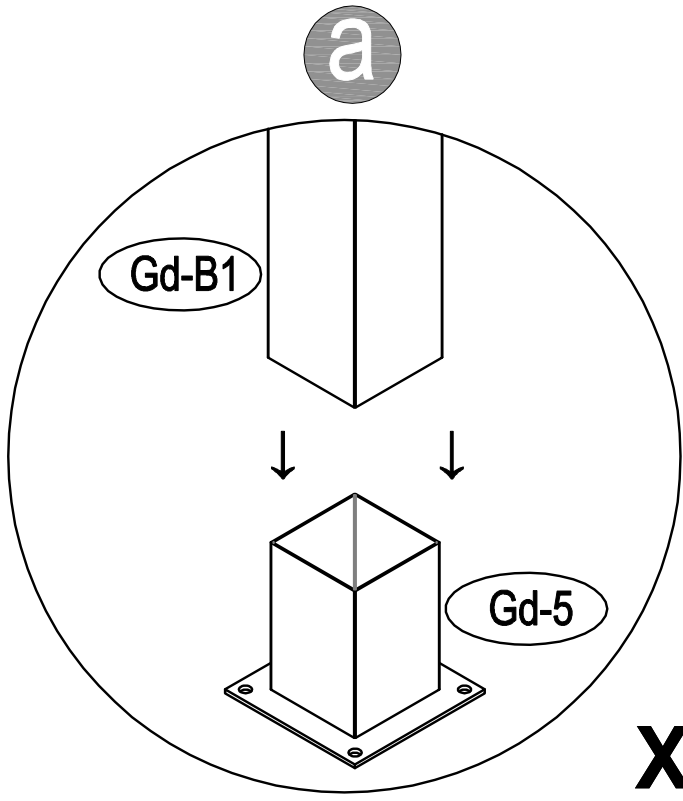
PL



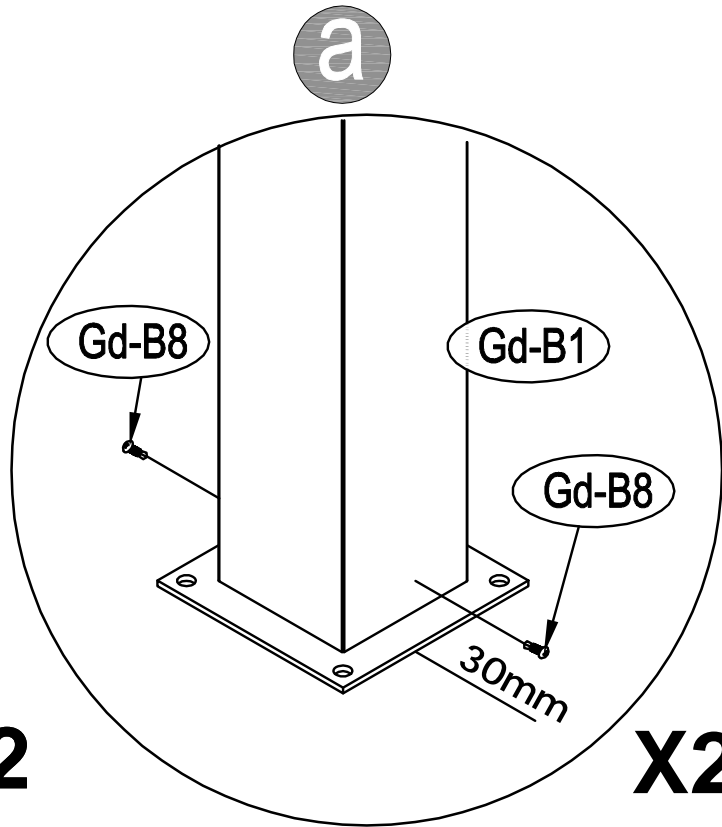
Gd-B1		1635mm	x2
Gd-A2		1665mm	x10
Gd-B3		1555mm	x2
Gd-B4		1555mm	x2
Gd-5		153X153mm	x2
Gd-6		125X125mm	x2
Gd-7		M10X60mm	x8
Gd-B8		ST5X16mm	x20
Gd-B9		ST4X13mm	x44



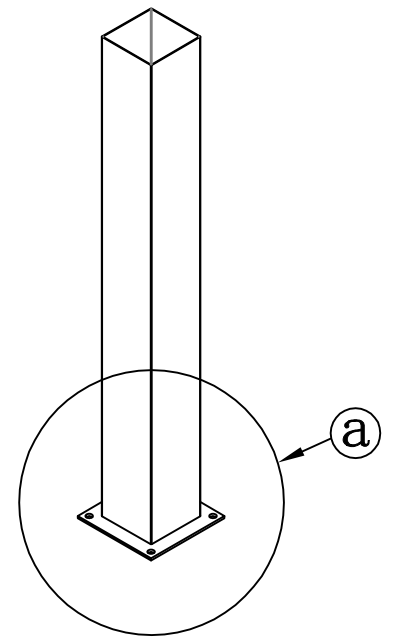
<b>1</b>	 Gd-B1 [x2]	 Gd-5 [x2]	 Gd-B8 [x4]	
----------	---	--	--	--



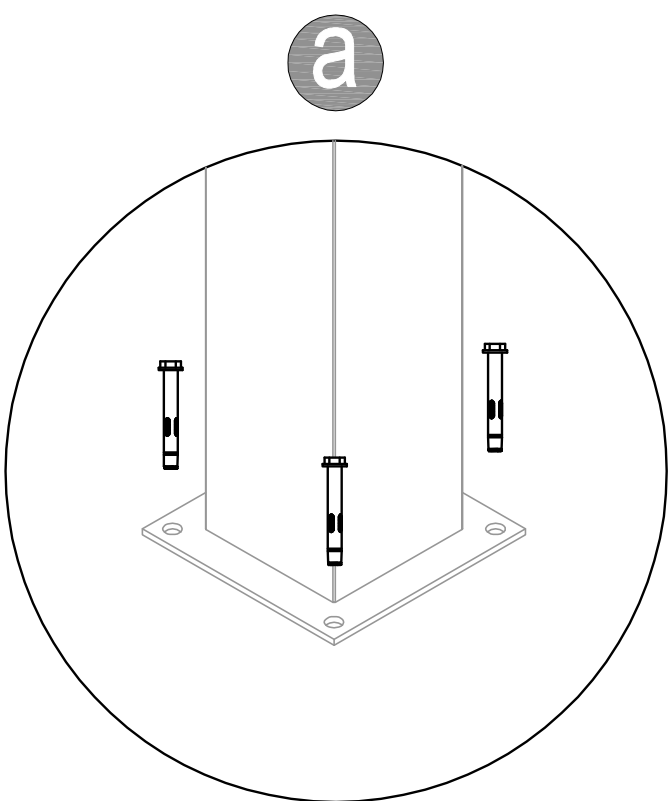
**X2**



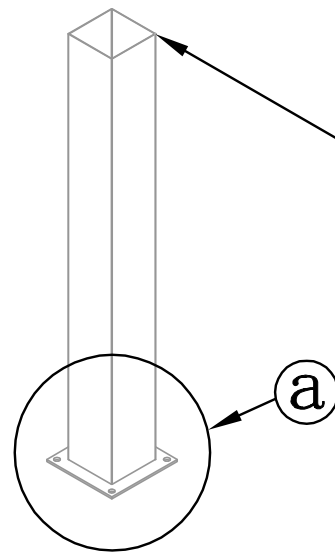
**X2**



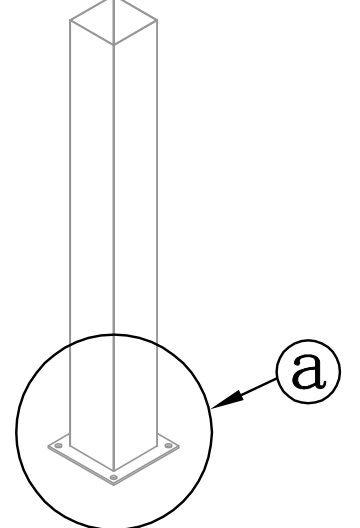
<b>2</b>	 Gd-7 [x8]			
----------	--	--	--	--



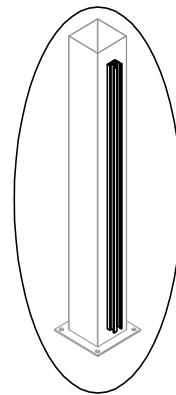
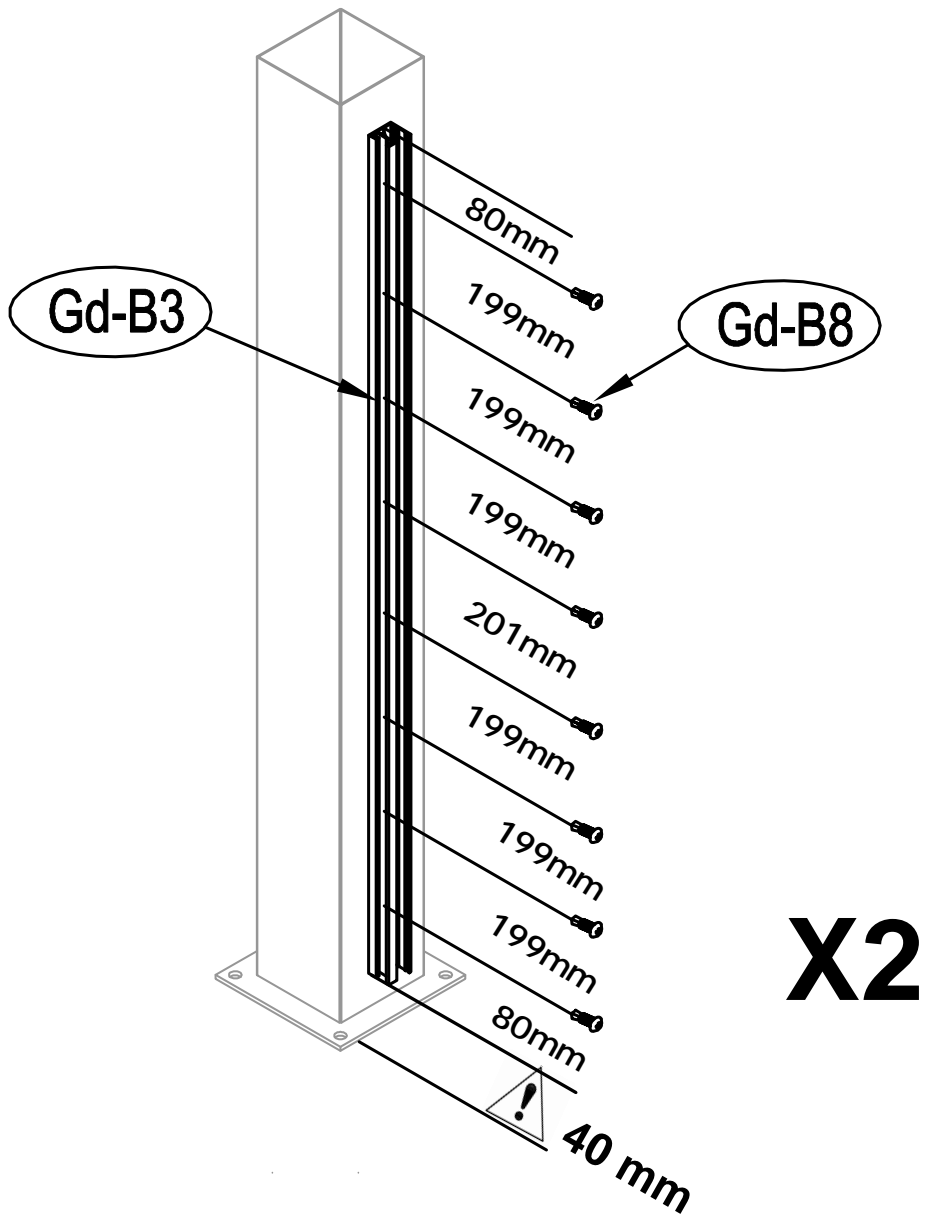
**X2**



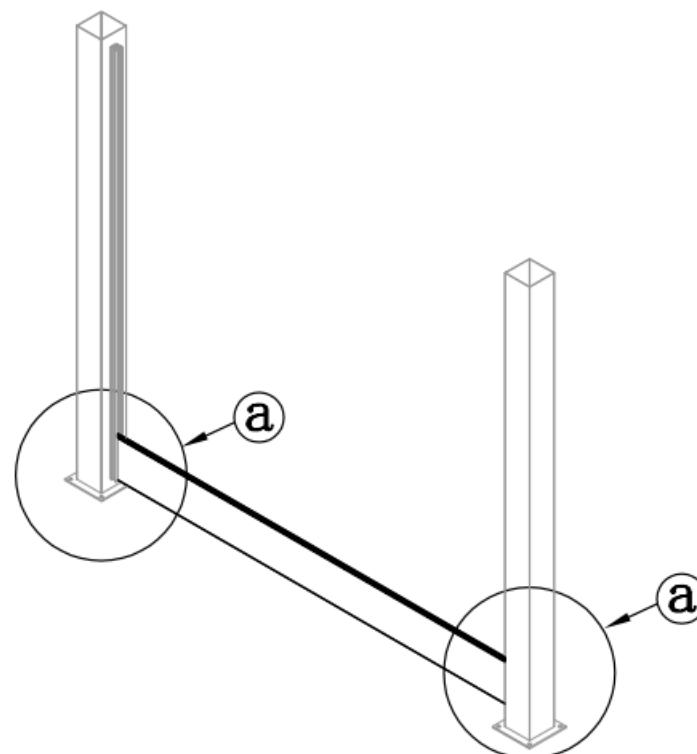
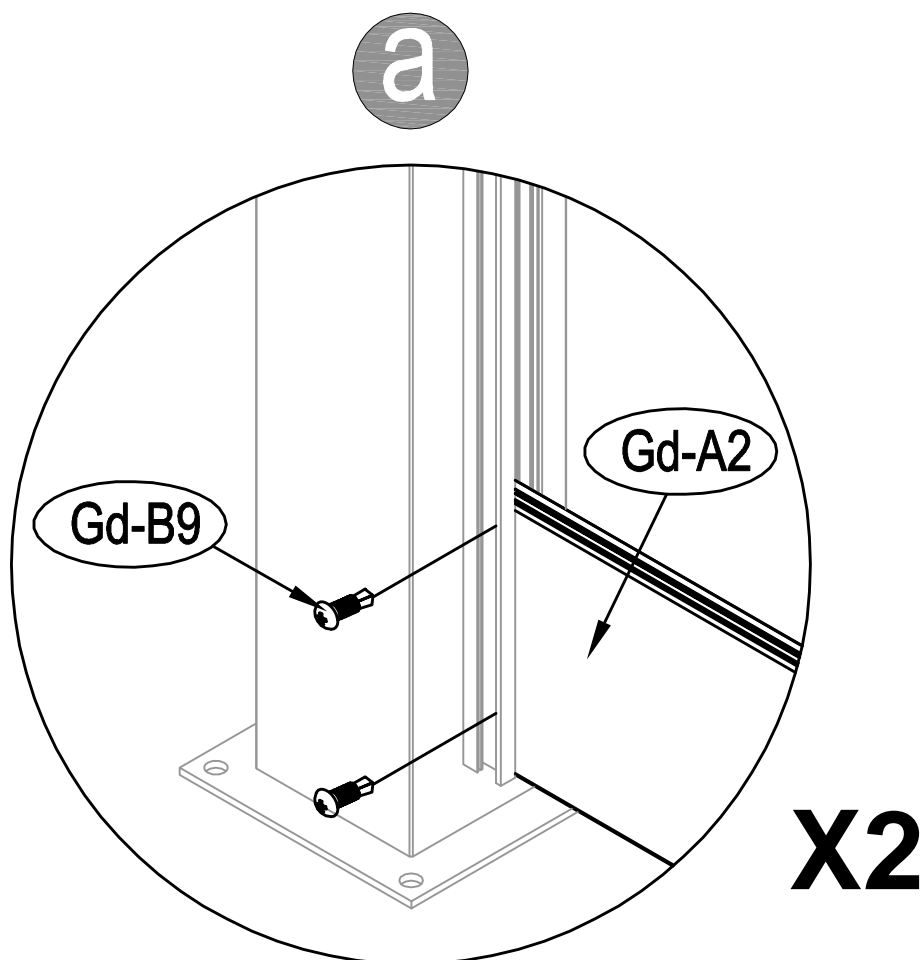
1680



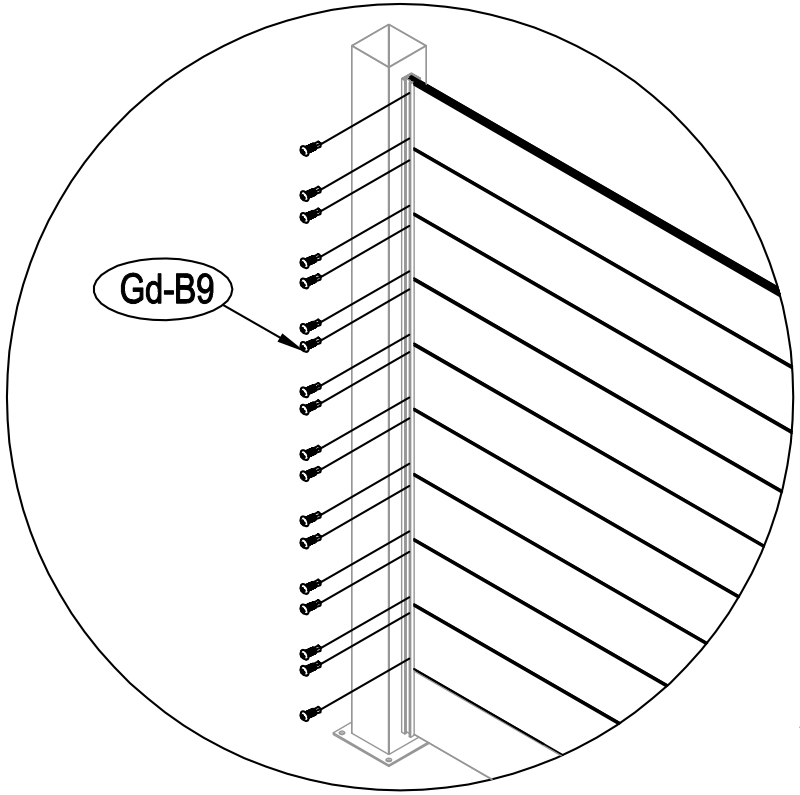
3	 Gd-B3 [x2]	 Gd-B8 [x16]		
---	---	--	--	--



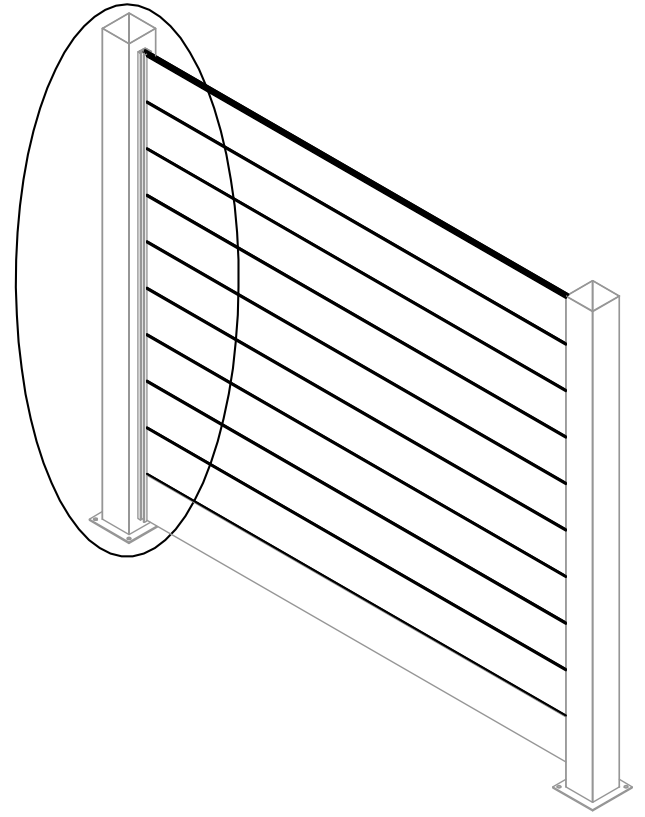
4	 Gd-A2 [x1]	 Gd-B9 [x4]		
---	---	---	--	--

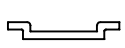


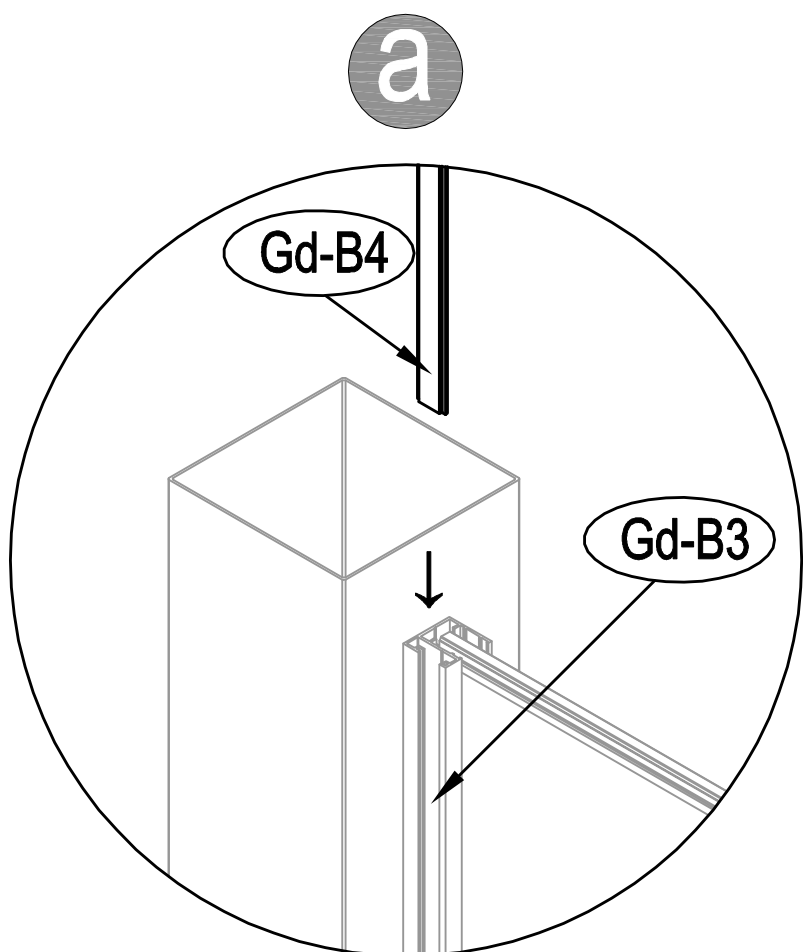
5	 Gd-A2 [x9]	 Gd-B9[x36]		
---	---	---	--	--



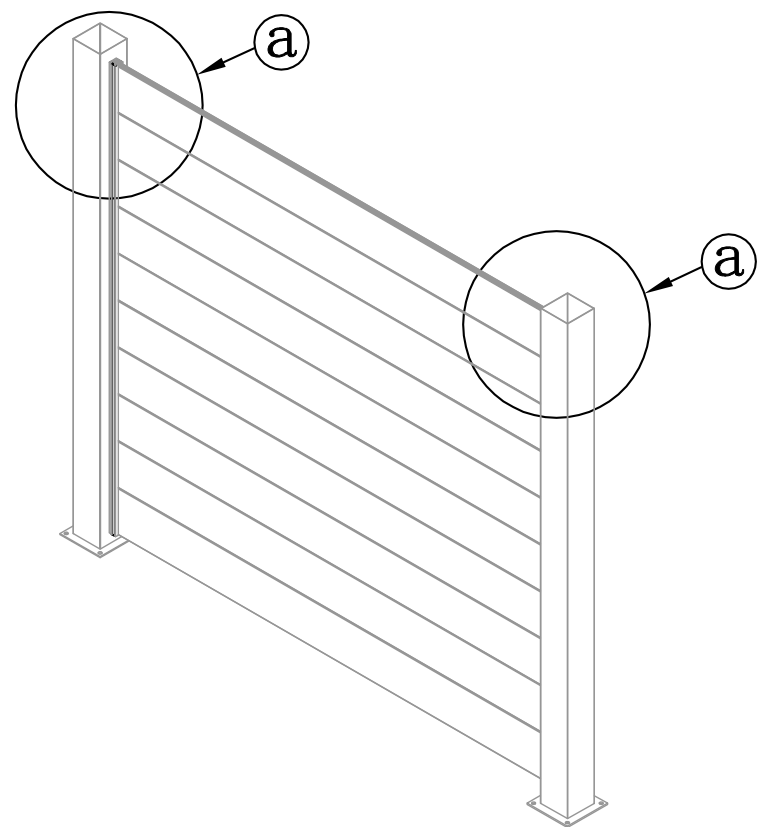
**X2**



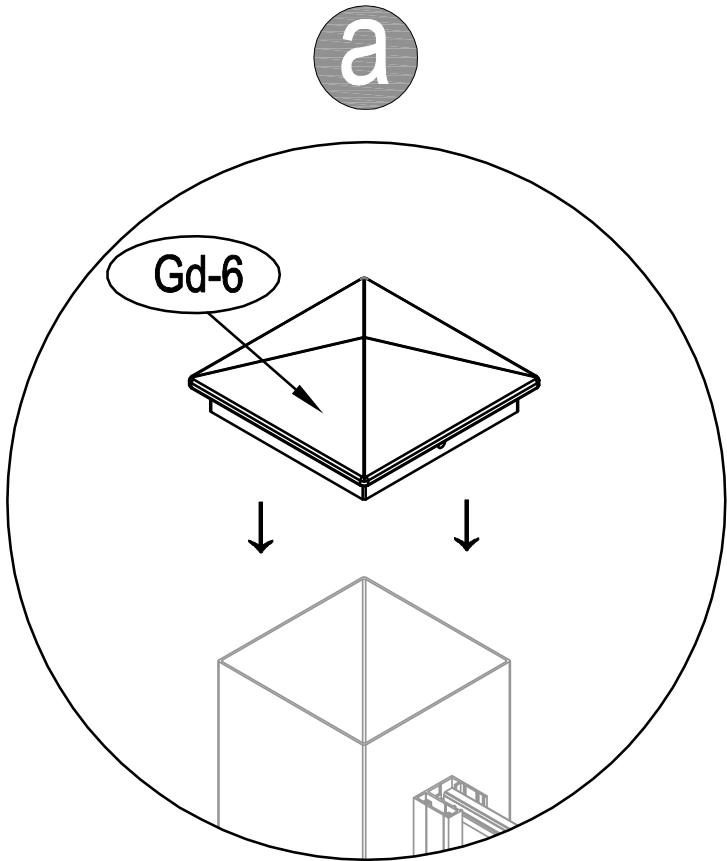
6	 Gd-B4 [x2]			
---	---	--	--	--



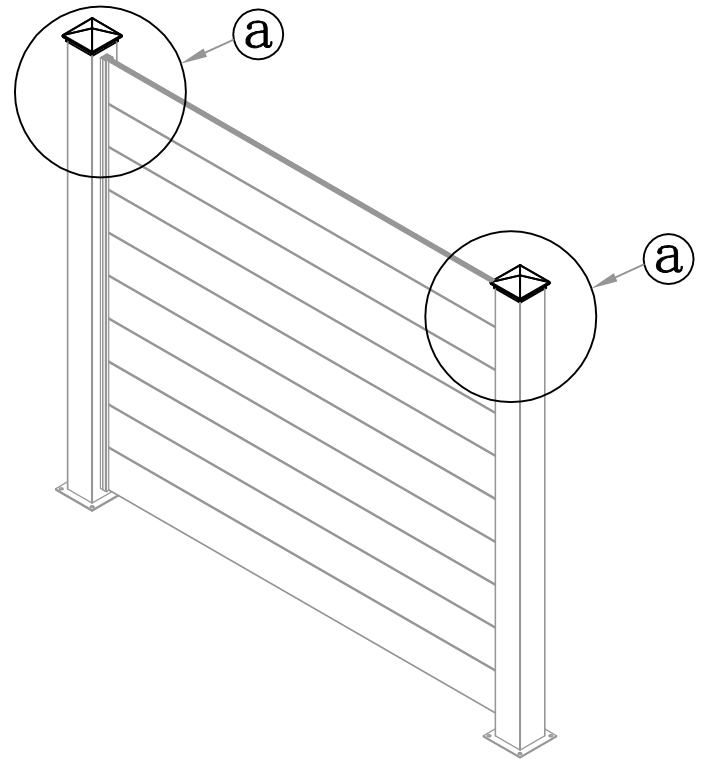
**X2**




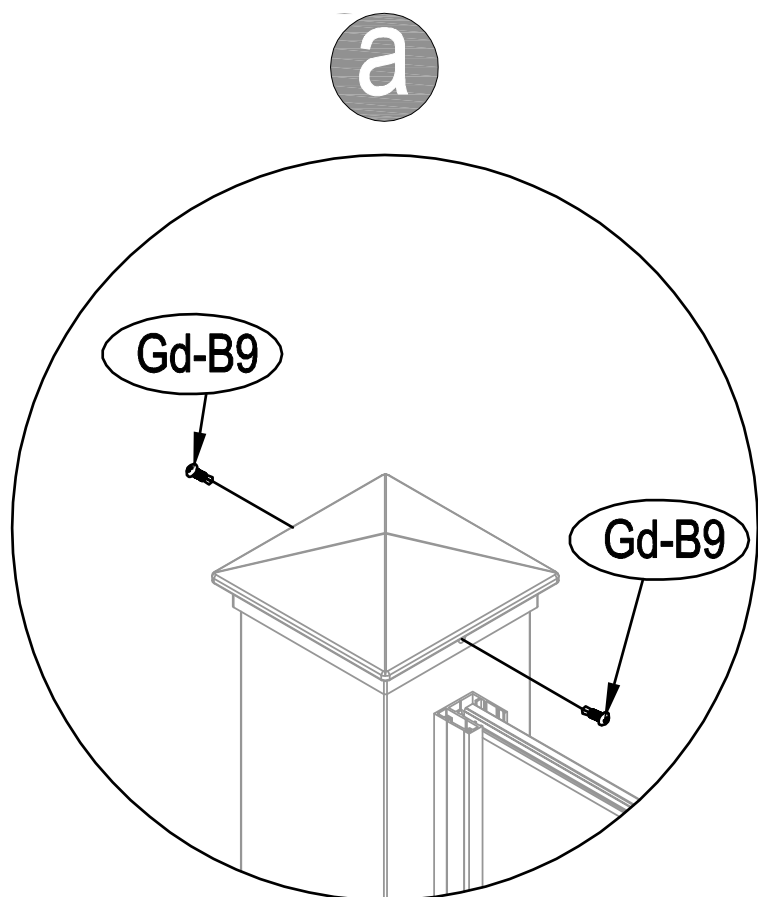
7	 Gd-6 [x2]			
---	--	--	--	--



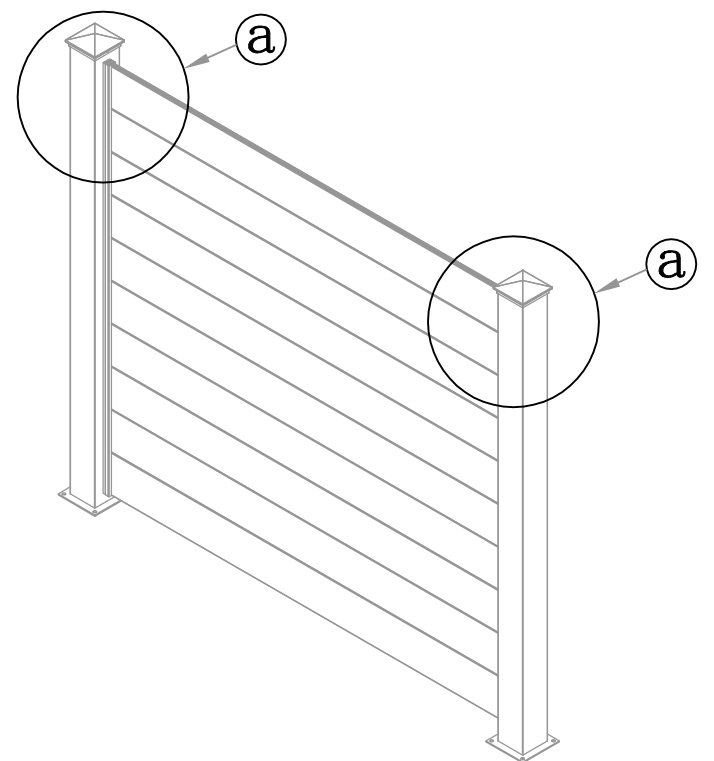
**X2**



8	 Gd-B9 [x4]			
---	---	--	--	--

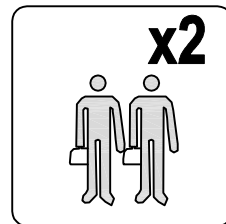
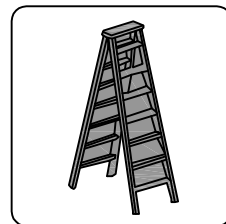
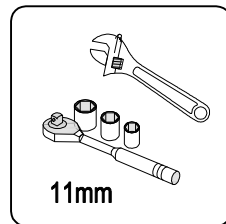
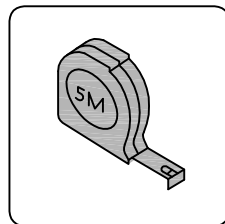
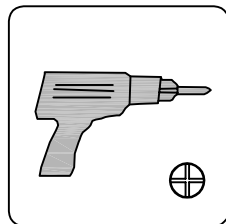
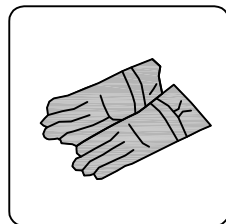
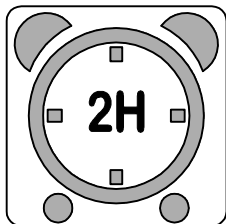
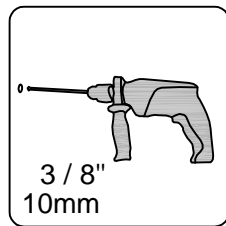
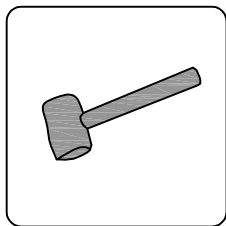
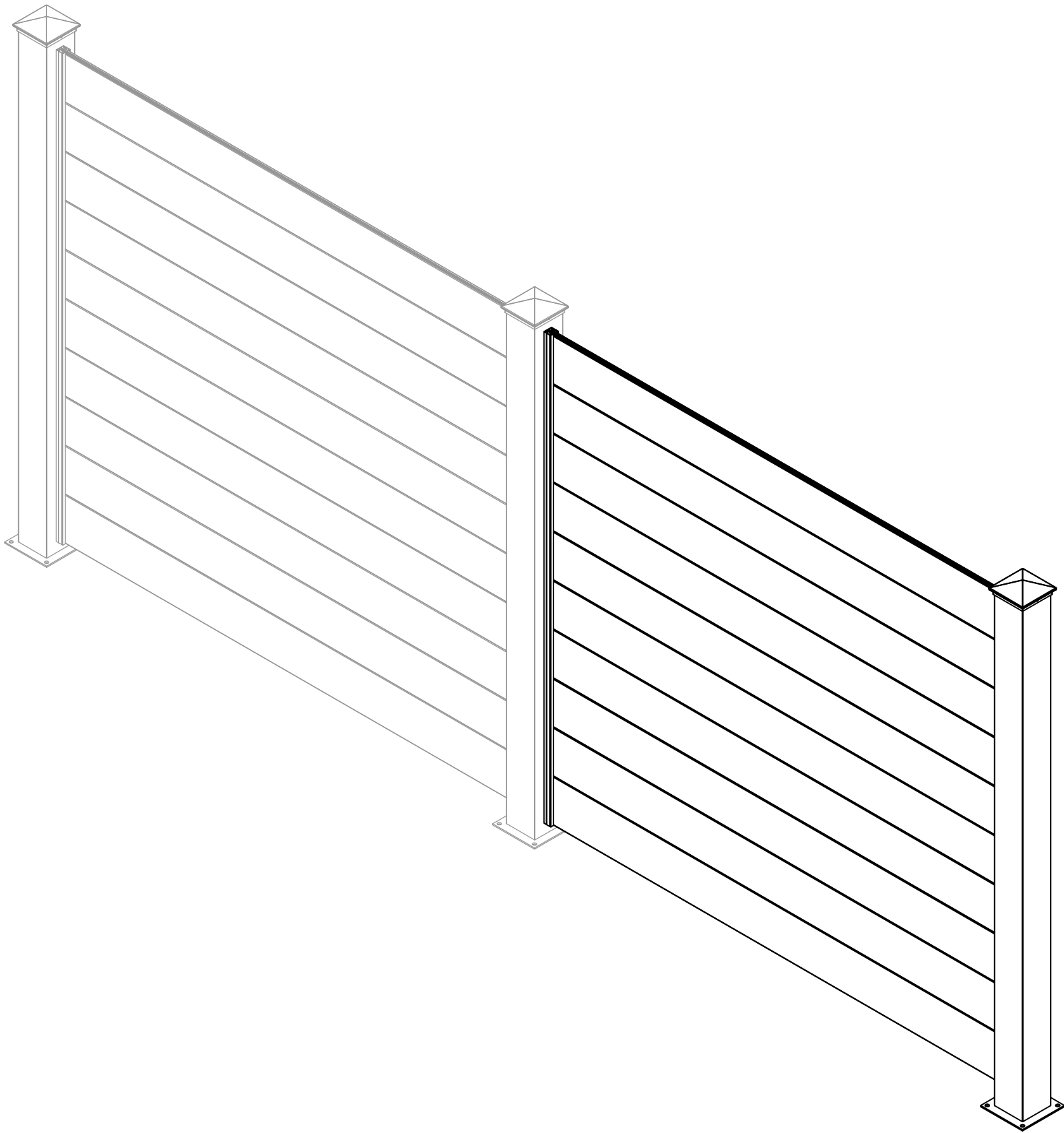


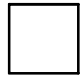
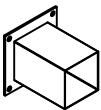

**X2**

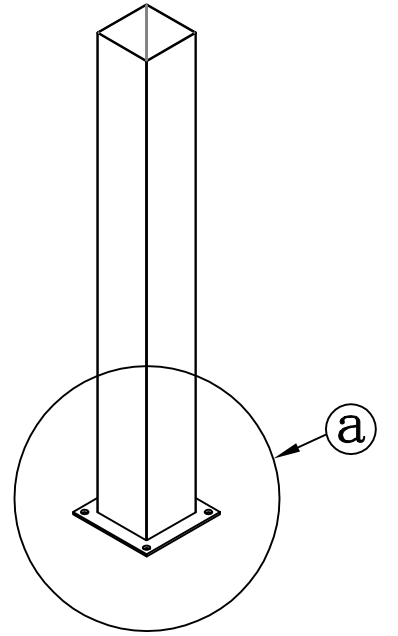
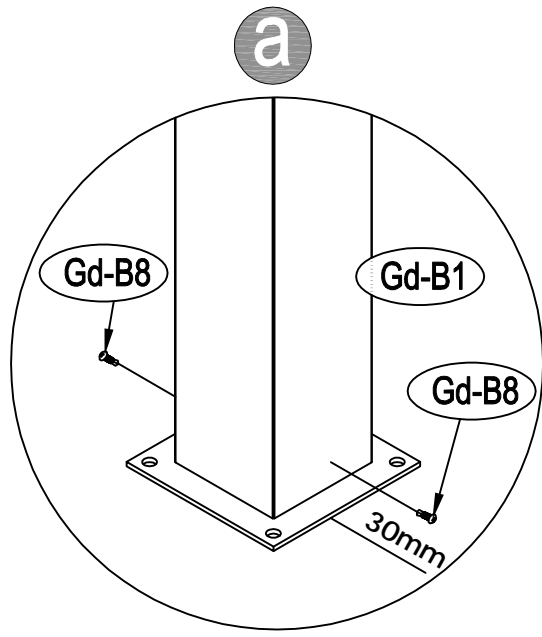
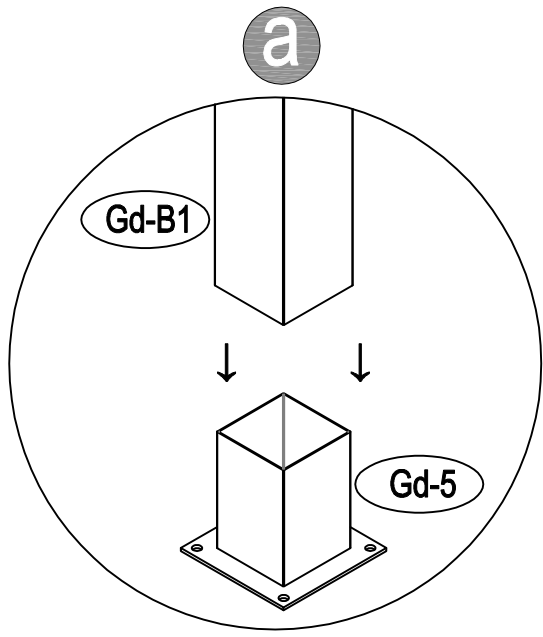



# NIESEN 190H170

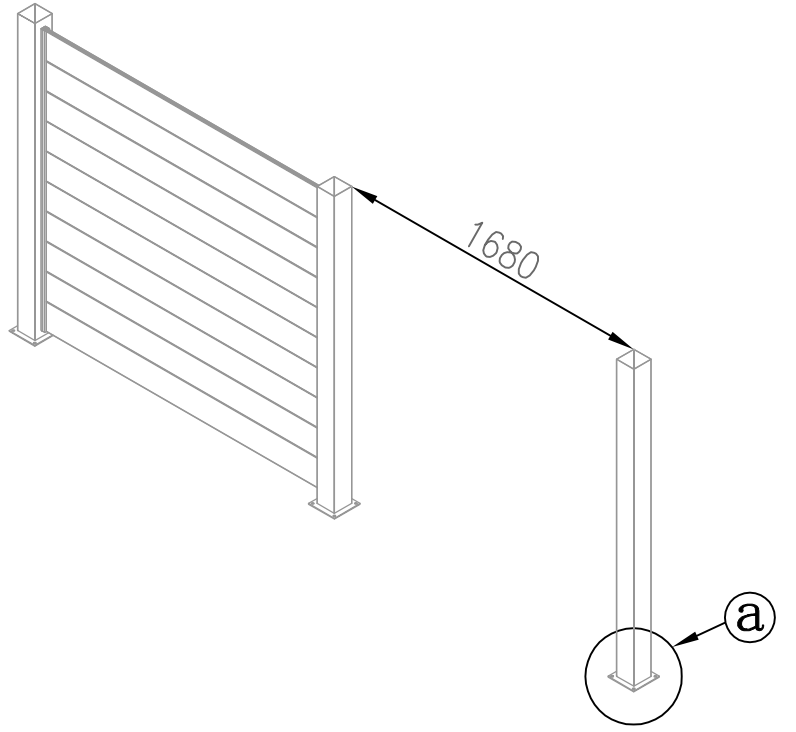
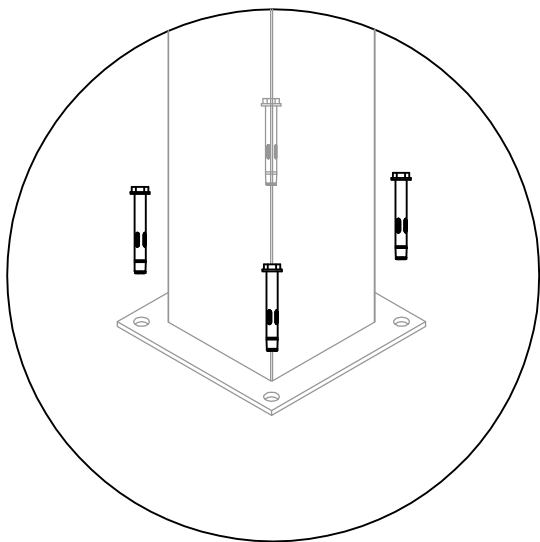
Multi-length / Multi-longueur / Mehrsprachig / Multi-longitud / Multi-comprimento /  
Multi-lunghezza / Multi-lengte / Wieloczęściowy

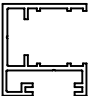


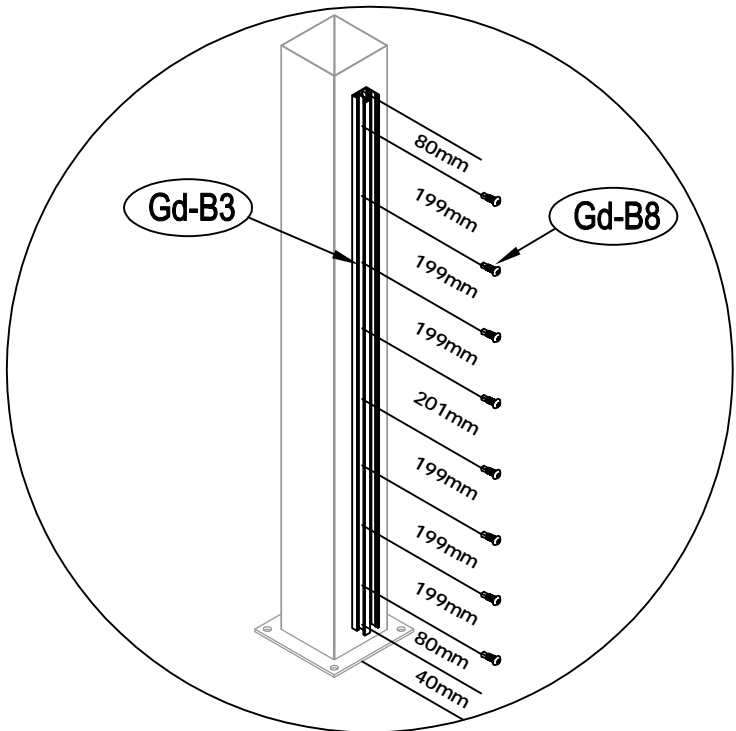
<b>1</b>	 Gd-B1 [x1]	 Gd-5 [x1]	 Gd-B8 [x2]	
----------	---	--	--	--



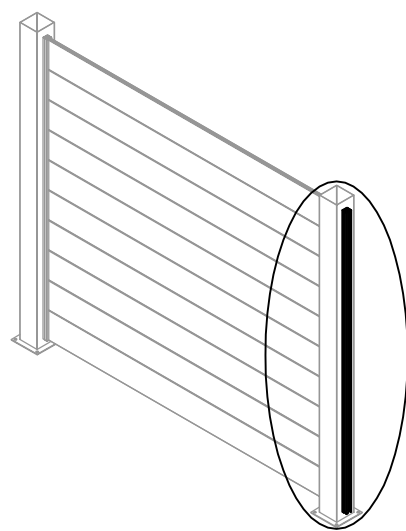
<b>2</b>	 Gd-7 [x4]			
----------	--	--	--	--



<b>3</b>	 Gd-B3 [x2]	 Gd-B8 [x16]		
----------	---	--	--	--

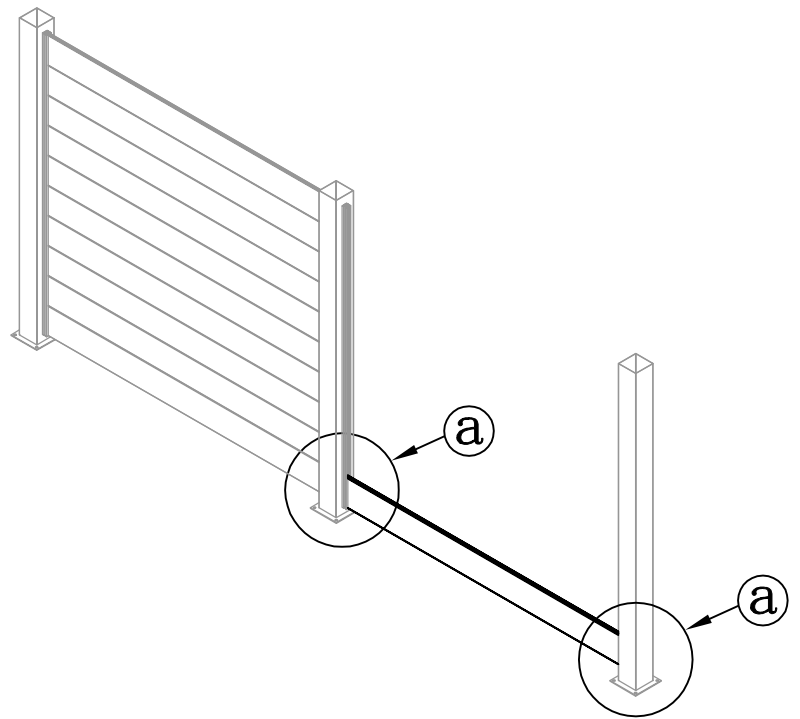
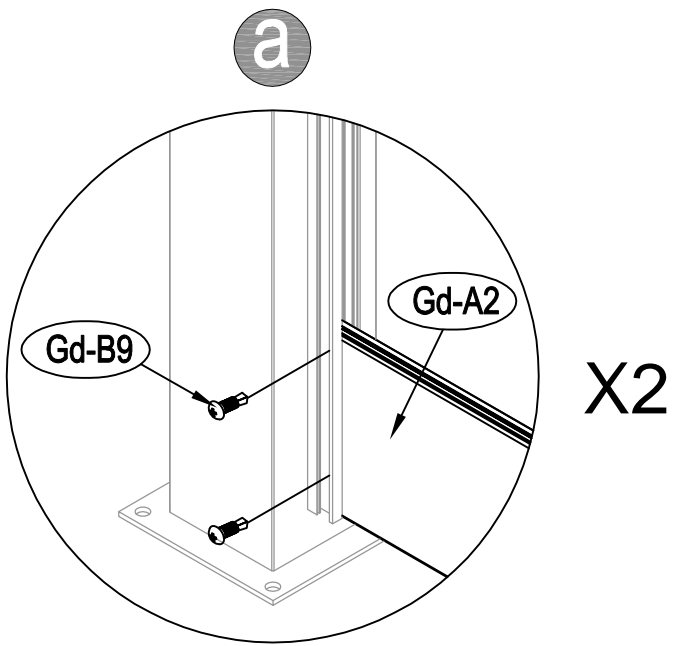


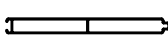
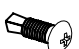
X2

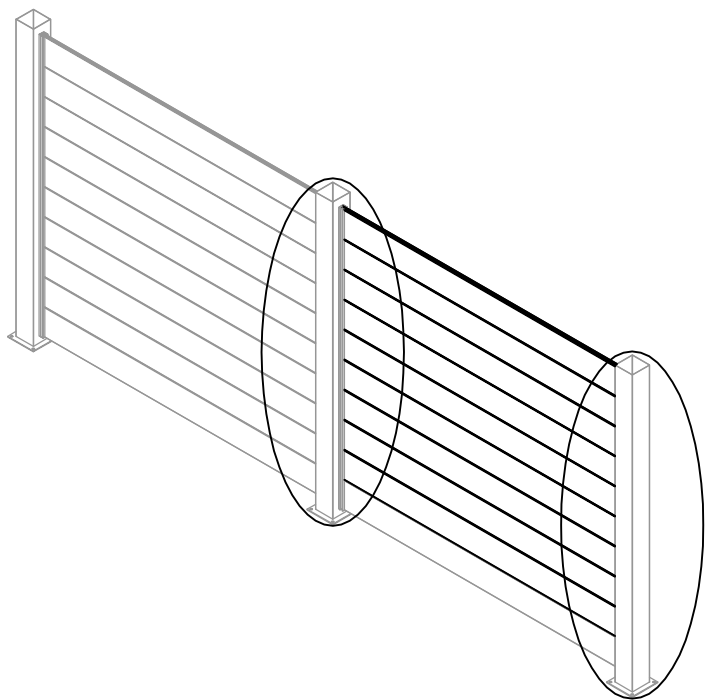
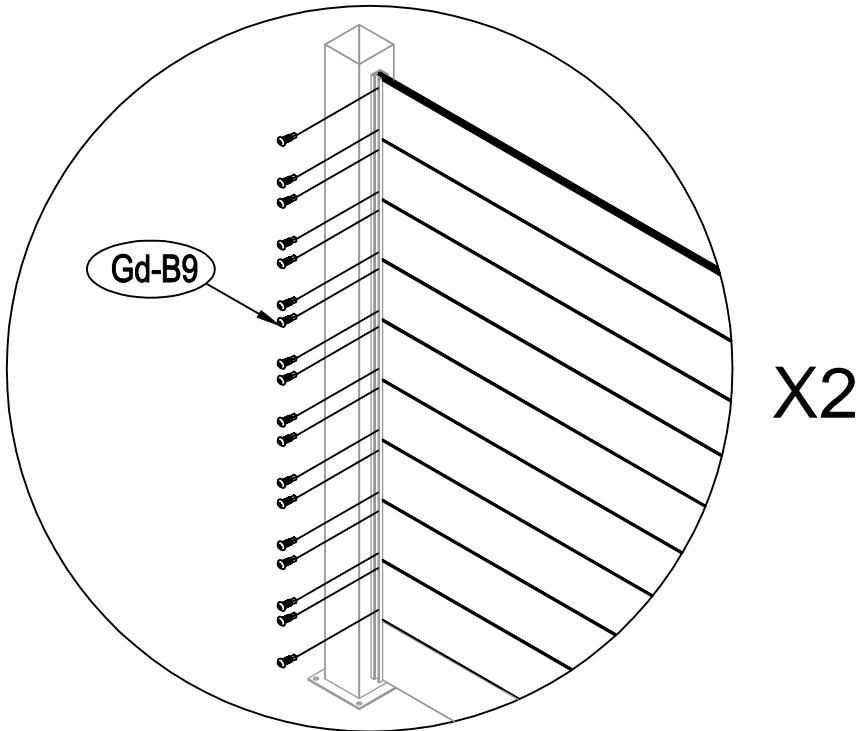


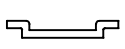


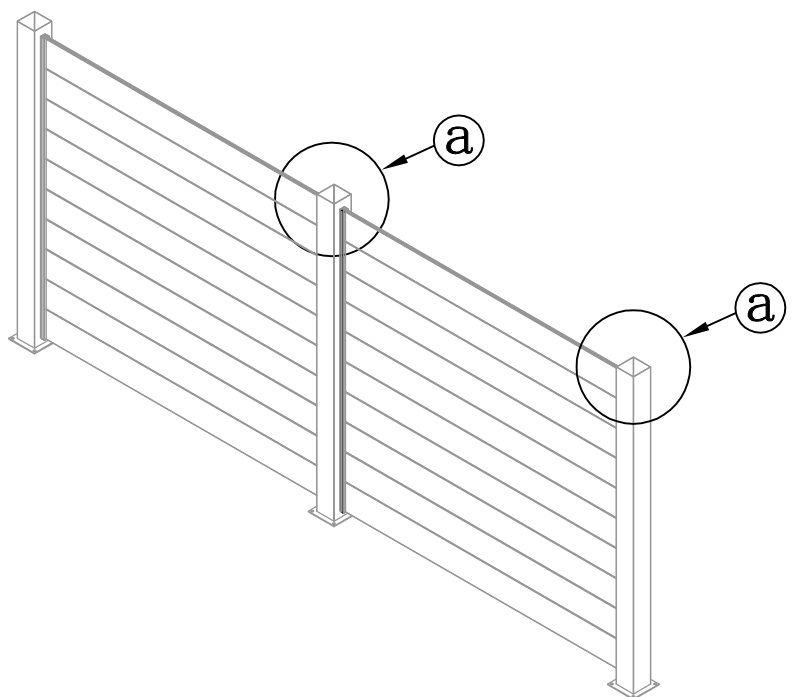
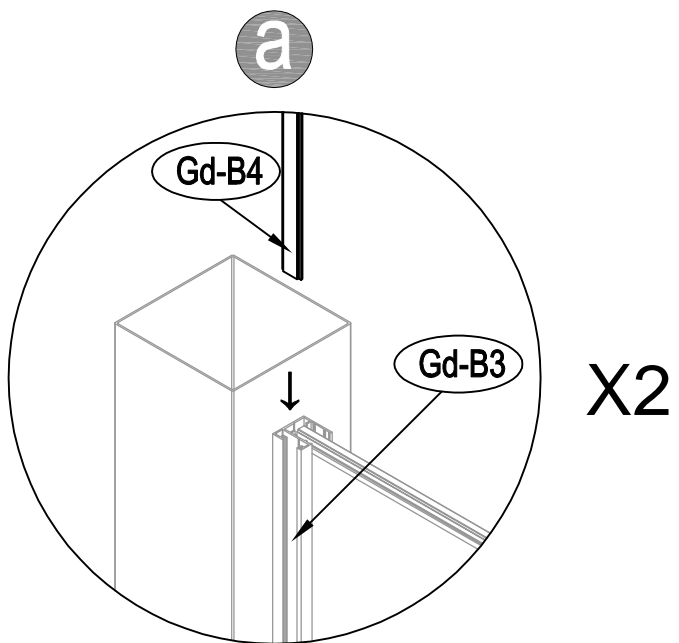
<b>4</b>	 Gd-A2 [x1]	 Gd-B9[x4]		
----------	---	--	--	--



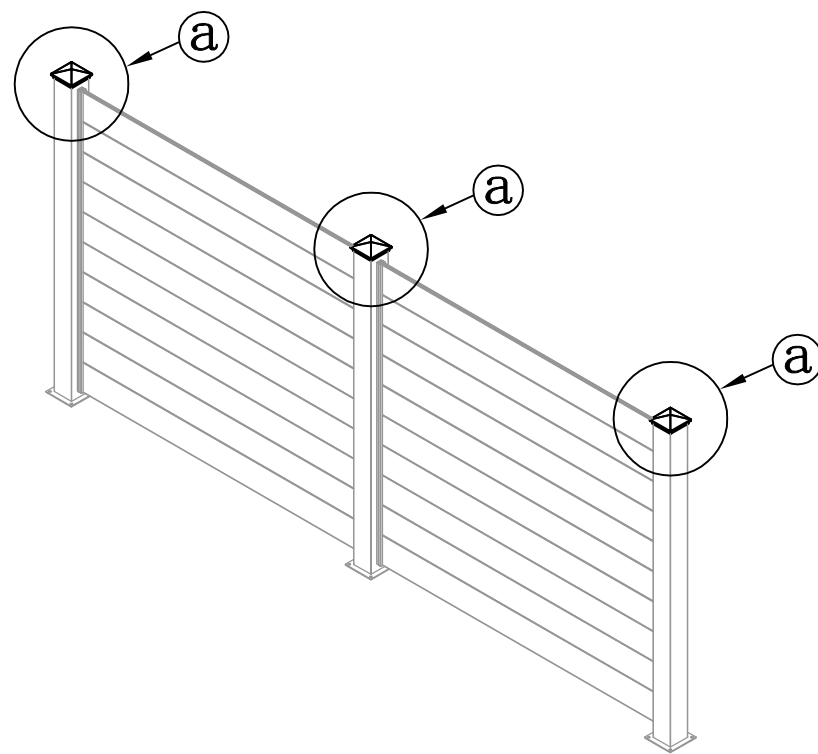
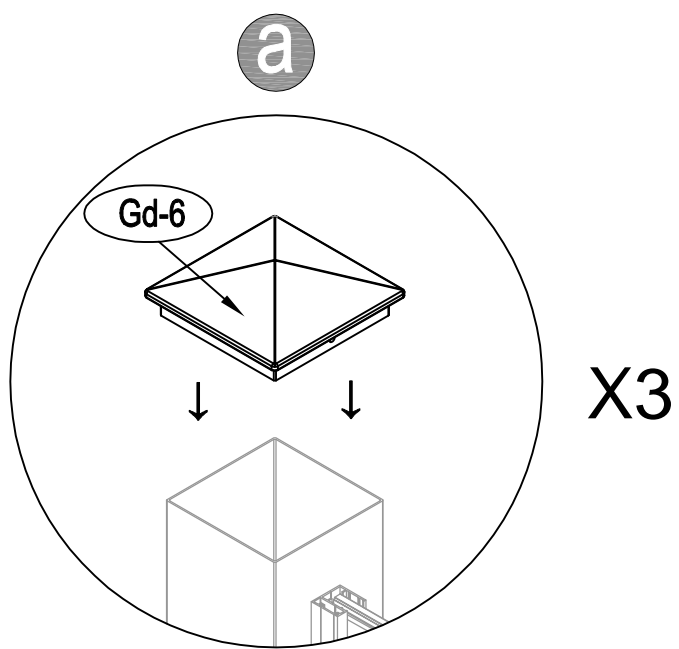
<b>5</b>	 Gd-A2 [x9]	 Gd-B9[x36]		
----------	---	---	--	--

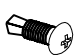


<b>6</b>	 Gd-B4 [x2]			
----------	---	--	--	--



7	 Gd-6 [x3]			
---	--	--	--	--



8	 Gd-B9 [x6]			
---	---	--	--	--

