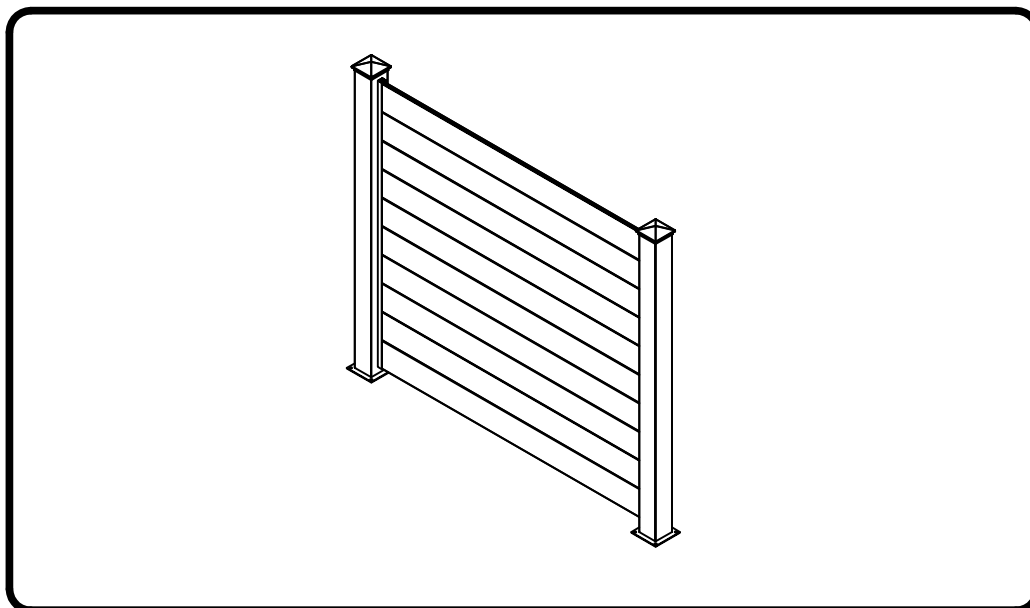


CASANOVO

NIESEN 190H170



2-3H



x2

COM-000190

[x1]

COM-000191

[x1]

FR

EN

ES

DE

IT

NL

PL

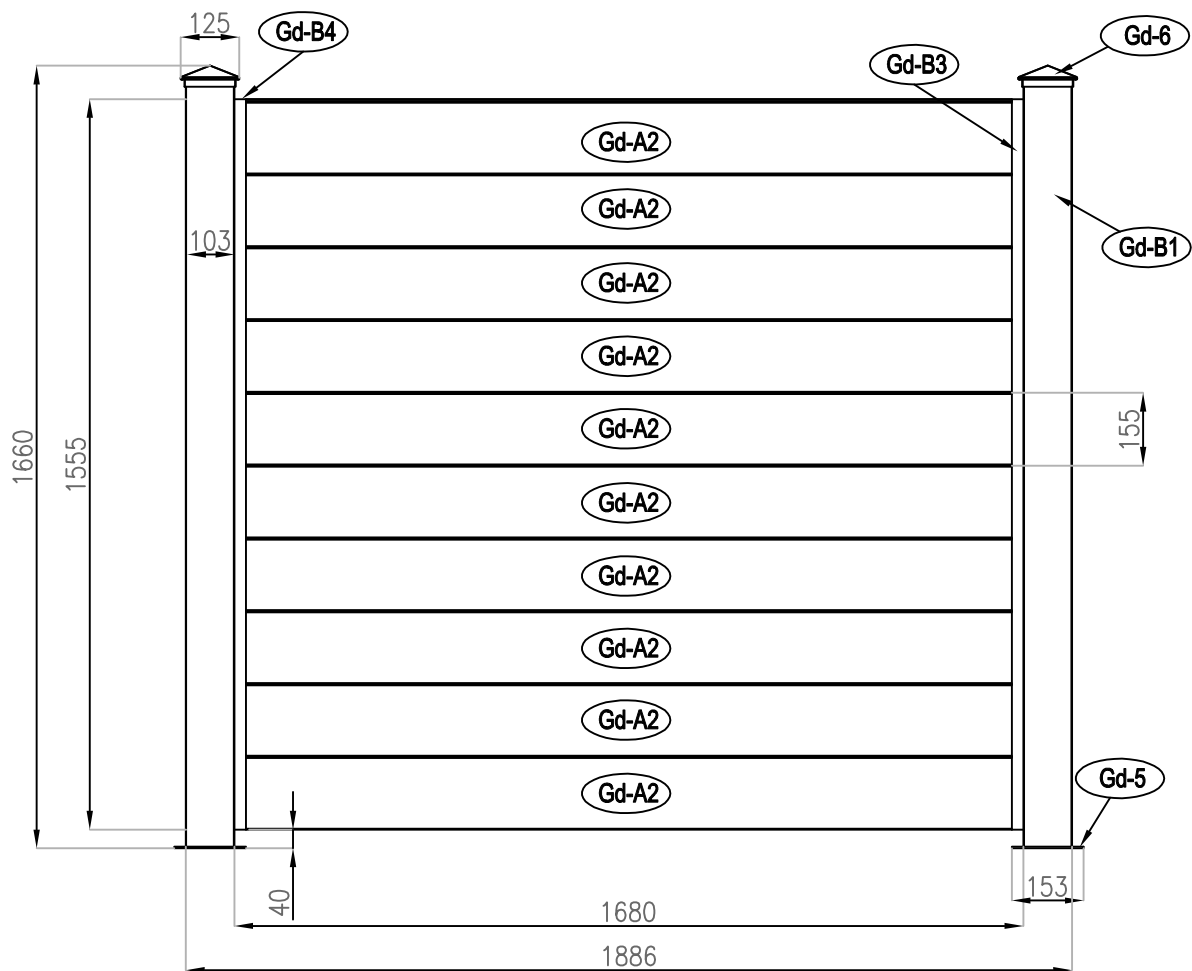
PT

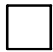

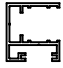
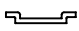








FI




SE

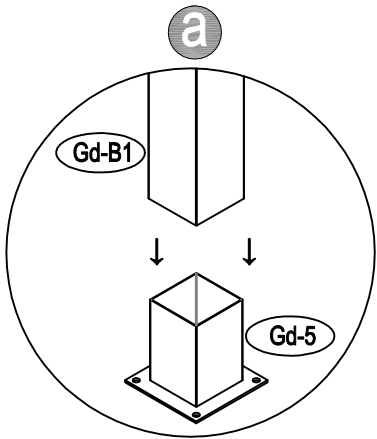
DK



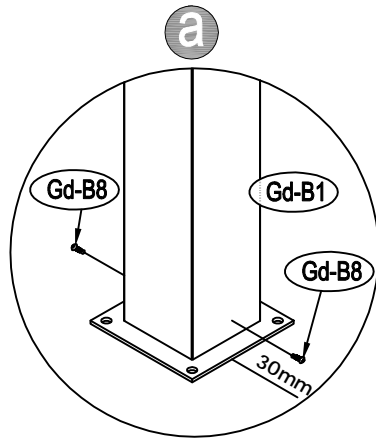


Gd-B1		1635mm	x2	1/2
Gd-A2		1665mm	x10	2/2
Gd-B3		1555mm	x2	1/2
Gd-B4		1555mm	x2	1/2
Gd-5		153X153mm	x2	1/2
Gd-6		125X125mm	x2	1/2
Gd-7		M10X60mm	x8	1/2
Gd-L		27X25mm	x1	1/2
Gd-R		27X25mm	x1	1/2
Gd-B8		ST5X16mm	x20	1/2
Gd-B9		ST4X13mm	x44	1/2
Gd-20			x8	1/2

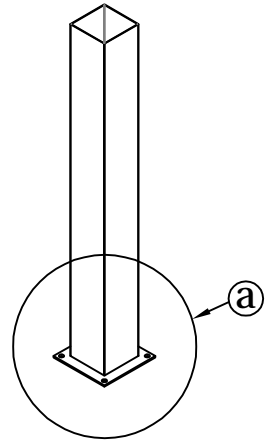
1	 Gd-B1 [x2]	 Gd-5 [x2]	 Gd-B8 [x4]	
---	---	--	---	--





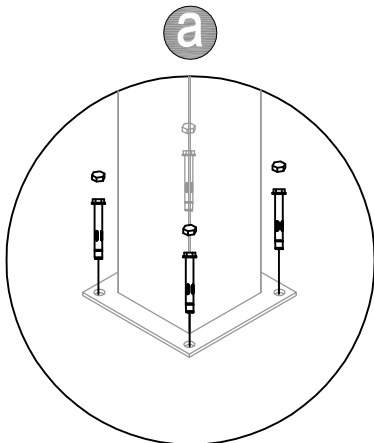
X2



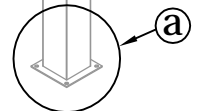
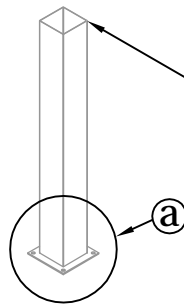
X2



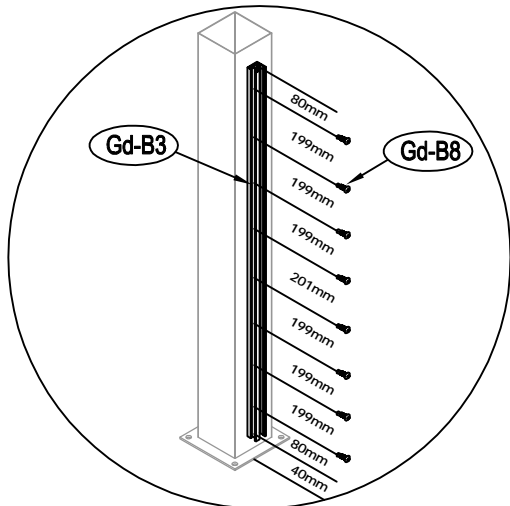
2	 Gd-7 [x8]	 Gd-20 [x8]		
---	--	---	--	--



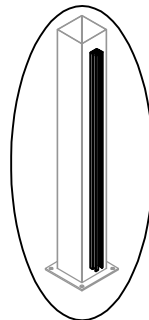
X2



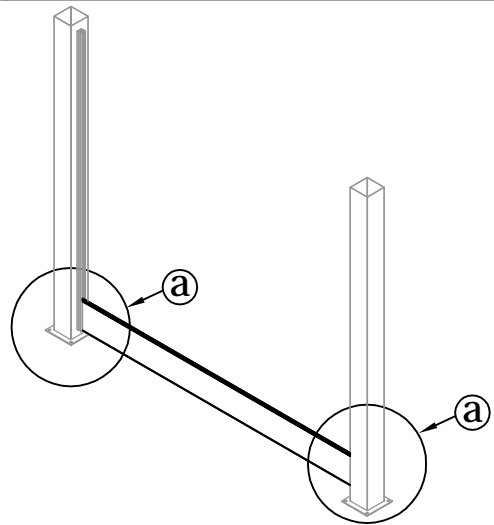
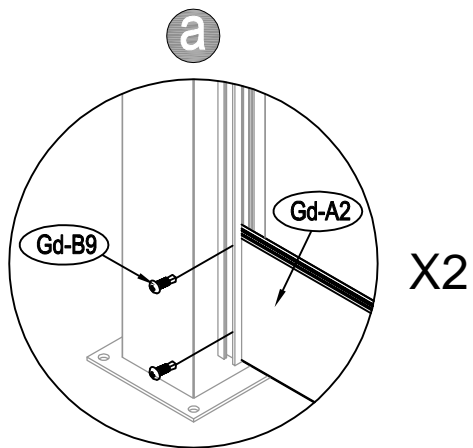
3	 Gd-B3 [x2]	 Gd-B8 [x16]		
---	---	--	--	--




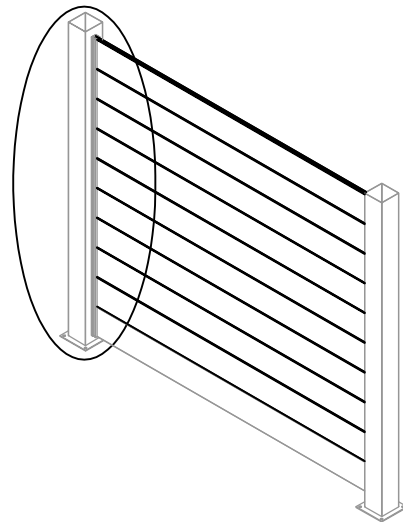
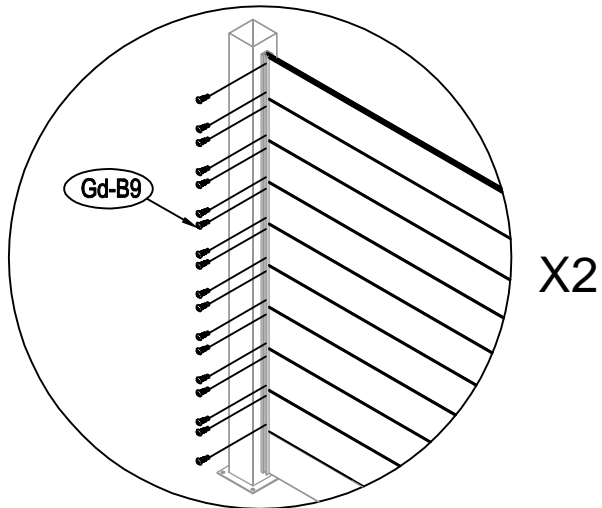
X2



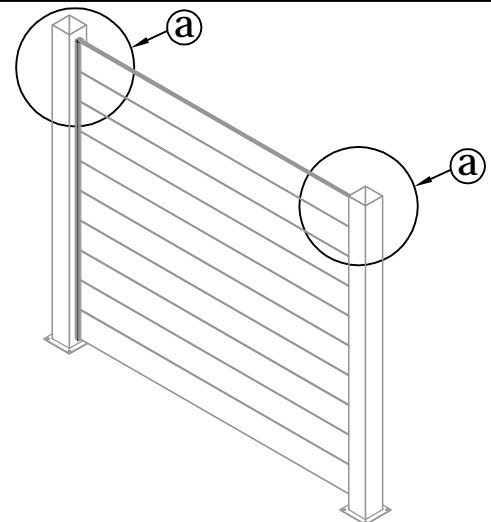
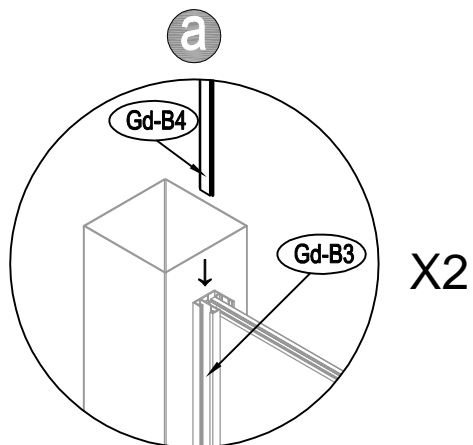
4	 Gd-A2 [x1]	 Gd-B9[x4]		
---	---	--	--	--



5	 Gd-A2 [x9]	 Gd-B9[x36]		
---	---	---	--	--

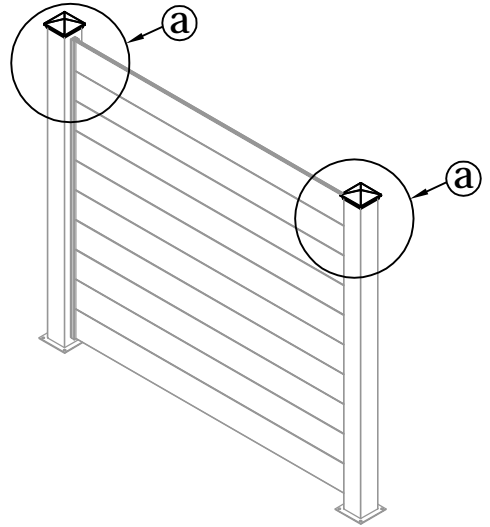
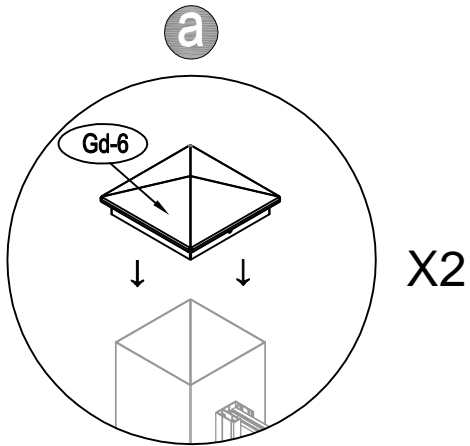


6	 Gd-B4 [x2]			
---	---	--	--	--



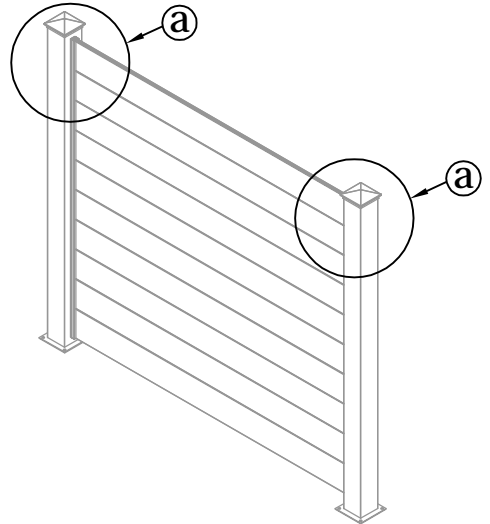
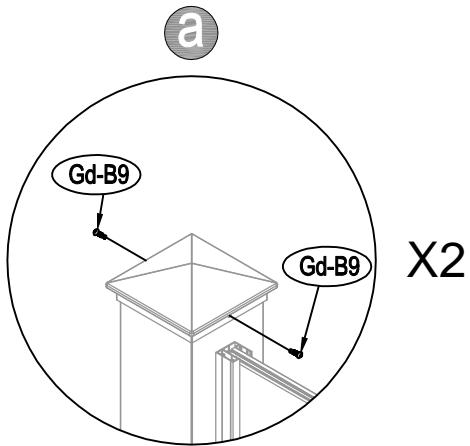
7				
----------	---	--	--	--

Gd-6 [x2]



8				
----------	---	--	--	--

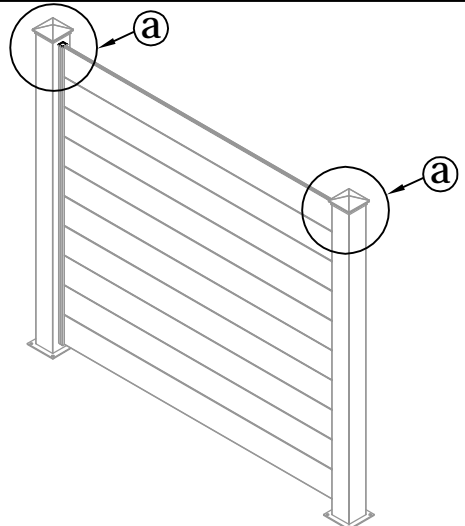
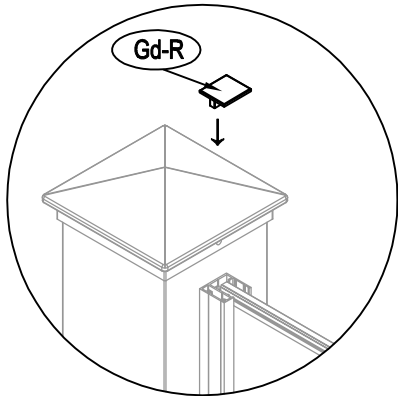
Gd-B9 [x4]



9				
----------	---	---	--	--

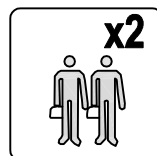
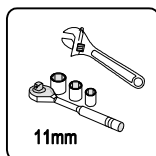
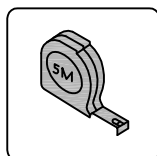
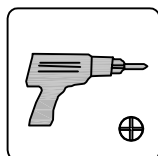
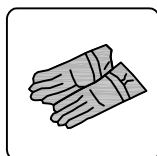
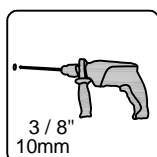
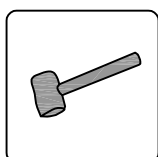
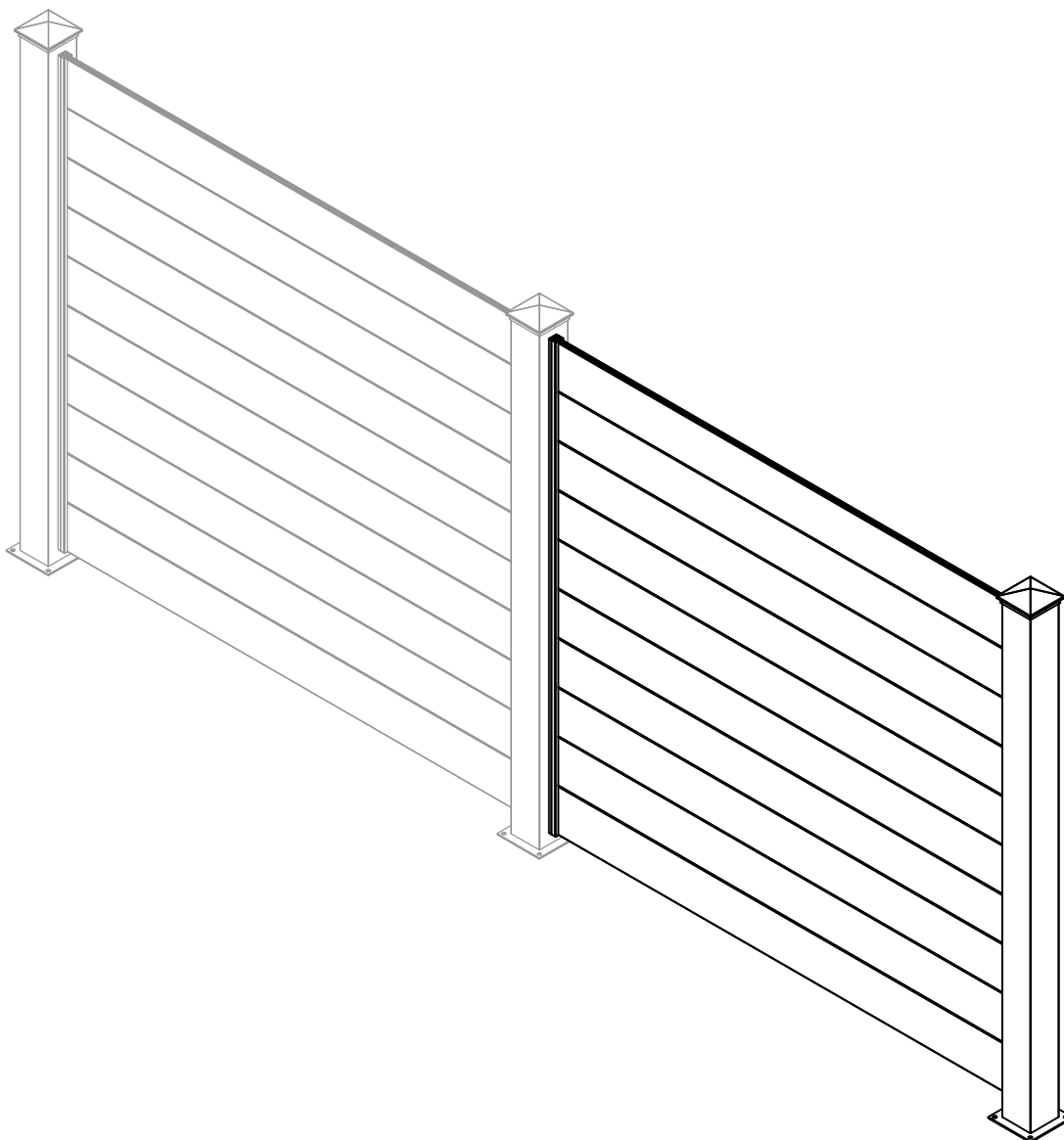
Gd-L [x1]




Gd-R [x1]

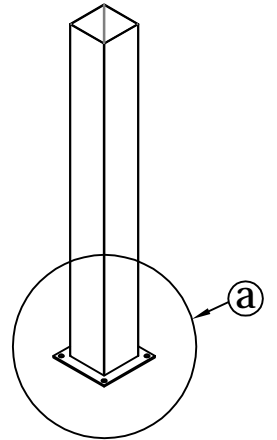
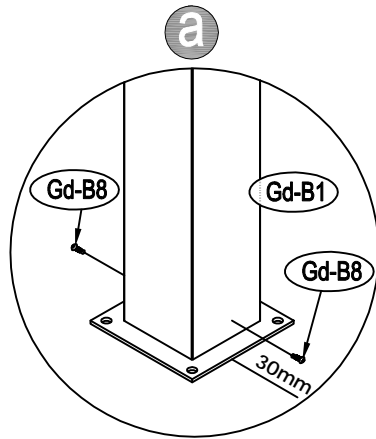
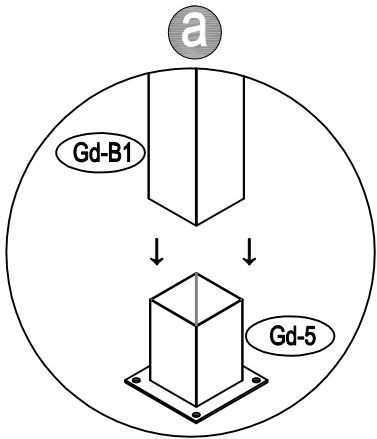



NIESEN 190H170

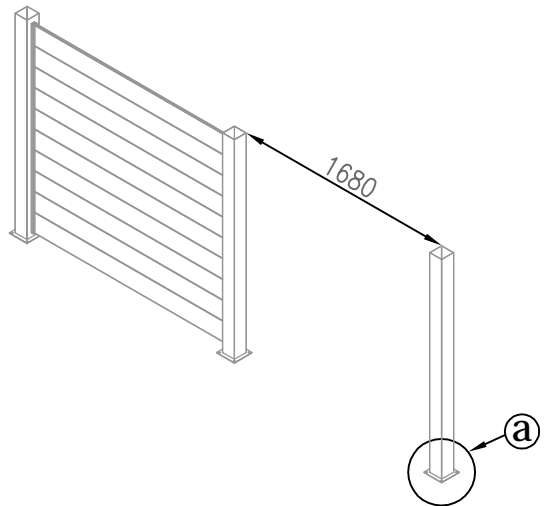
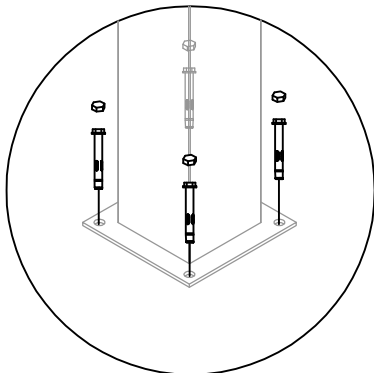
Multi-length / Multi-longueur / Mehrsprachig / Multi-longitud / Multi-comprimento /
Multi-lunghezza / Multi-lengte / Wieloczęściowy

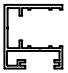



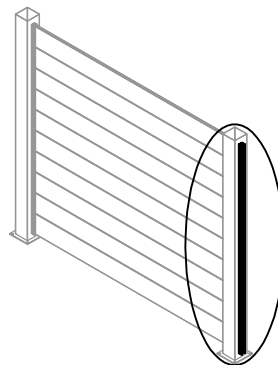
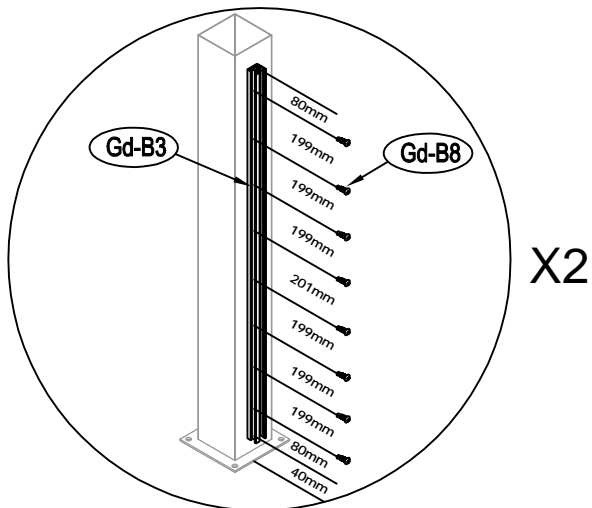
1	 Gd-B1 [x1]	 Gd-5 [x1]	 Gd-B8 [x2]	
---	---	--	---	--



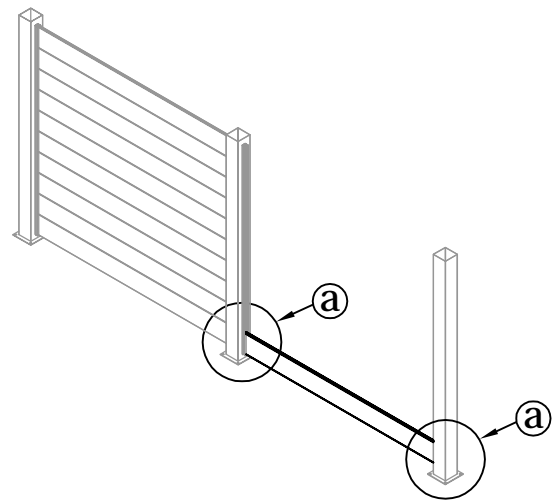
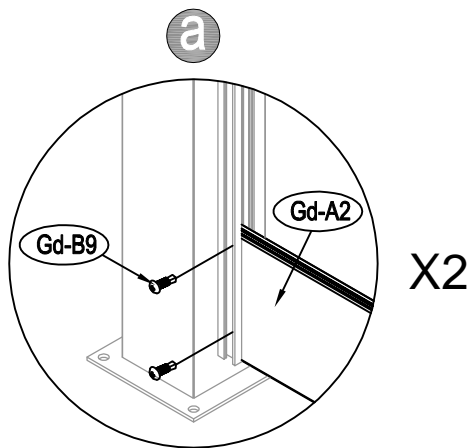
2	 Gd-7 [x4]	 Gd-20 [x4]		
---	--	---	--	--





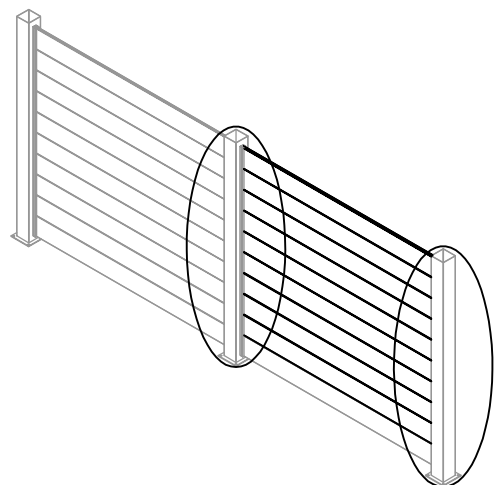
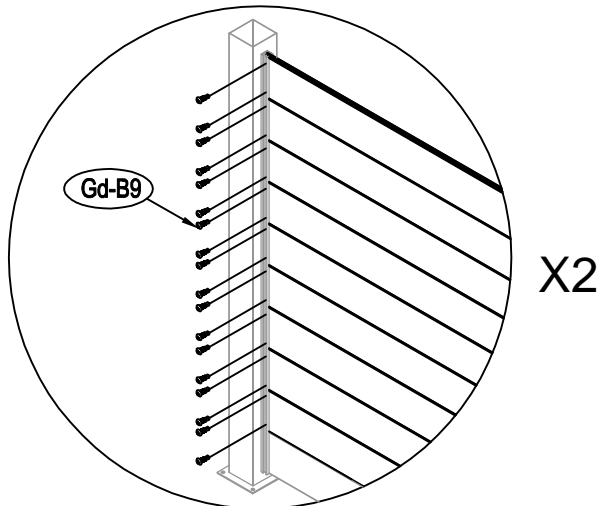
3	 Gd-B3 [x2]	 Gd-B8 [x16]		
---	---	--	--	--




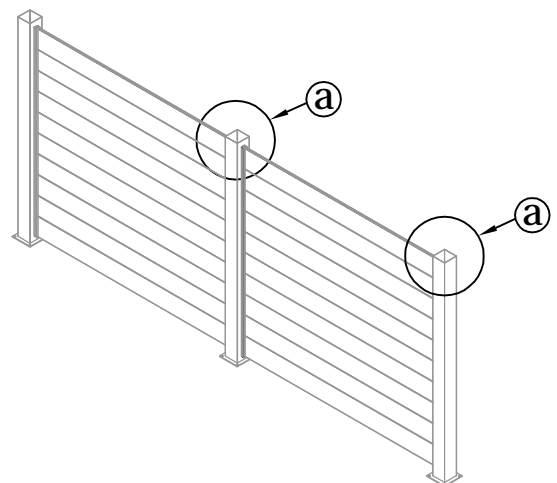
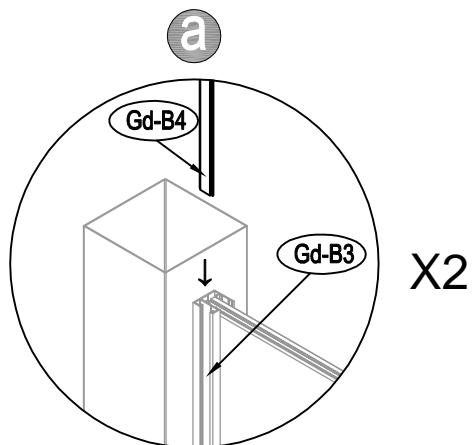
4	 Gd-A2 [x1]	 Gd-B9[x4]		
----------	---	--	--	--



5	 Gd-A2 [x9]	 Gd-B9[x36]		
----------	---	---	--	--



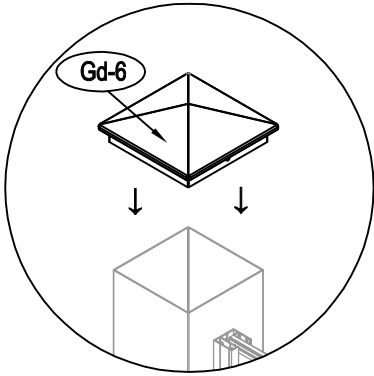
6	 Gd-B4 [x2]			
----------	---	--	--	--



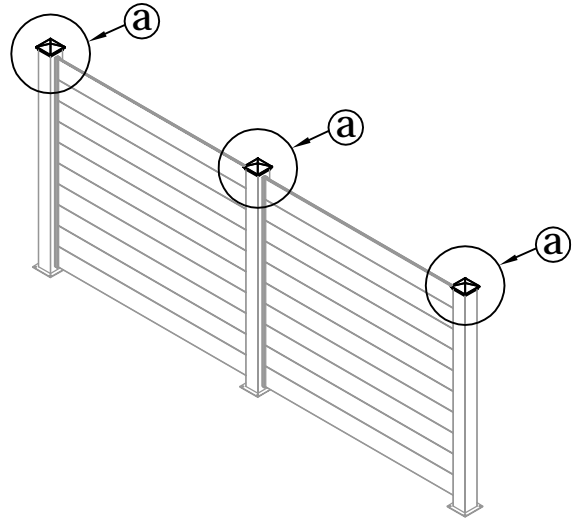
7				
----------	---	--	--	--


Gd-6 [x3]

a



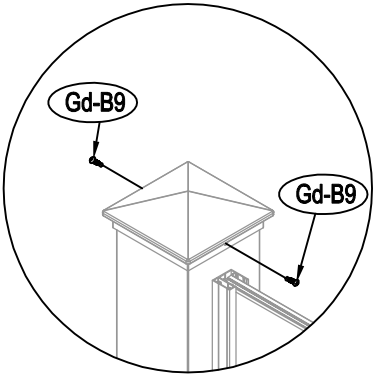
X3



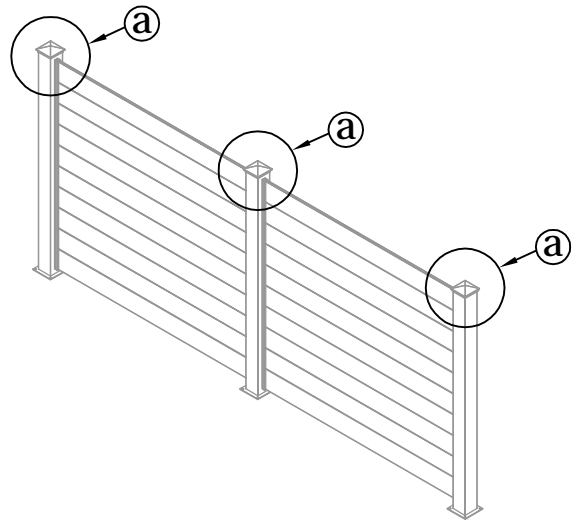
8				
----------	---	--	--	--

Gd-B9 [x6]

a



X3



9				
----------	---	---	--	--

Gd-L [x2]

Gd-R [x2]

a

