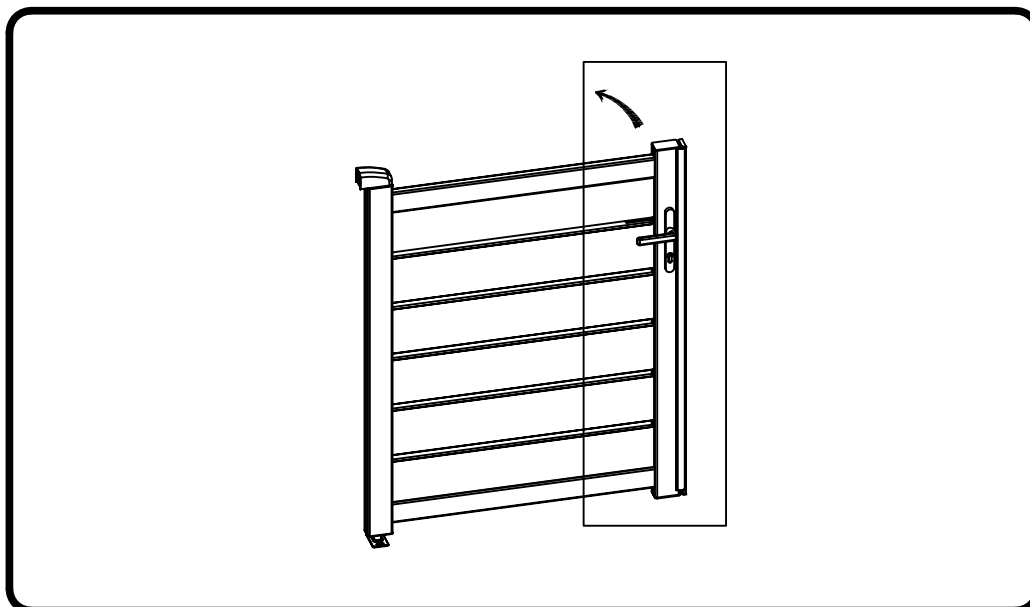


# CASANOVO

## VOGEL 100P120



STI-000093

STI-000067

not incl

FR

EN

ES

DE

IT

NL

PL

PT

FI

SE

DK







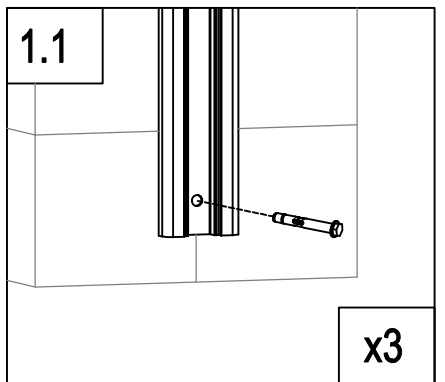
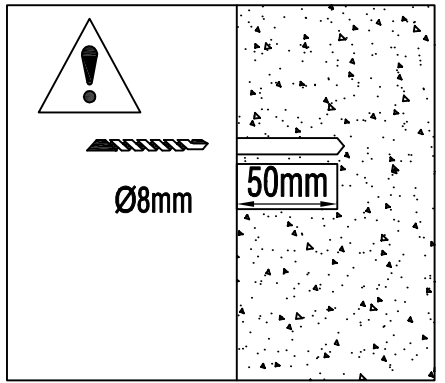
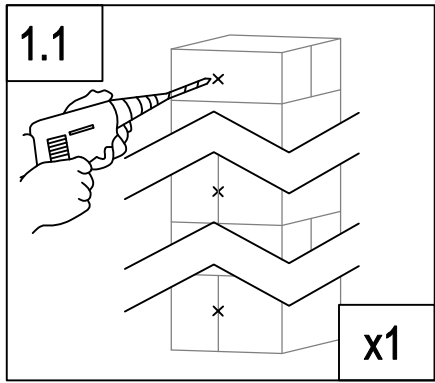
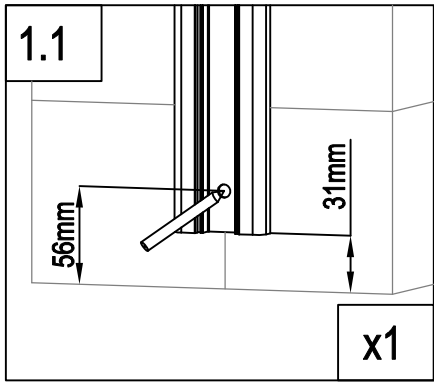
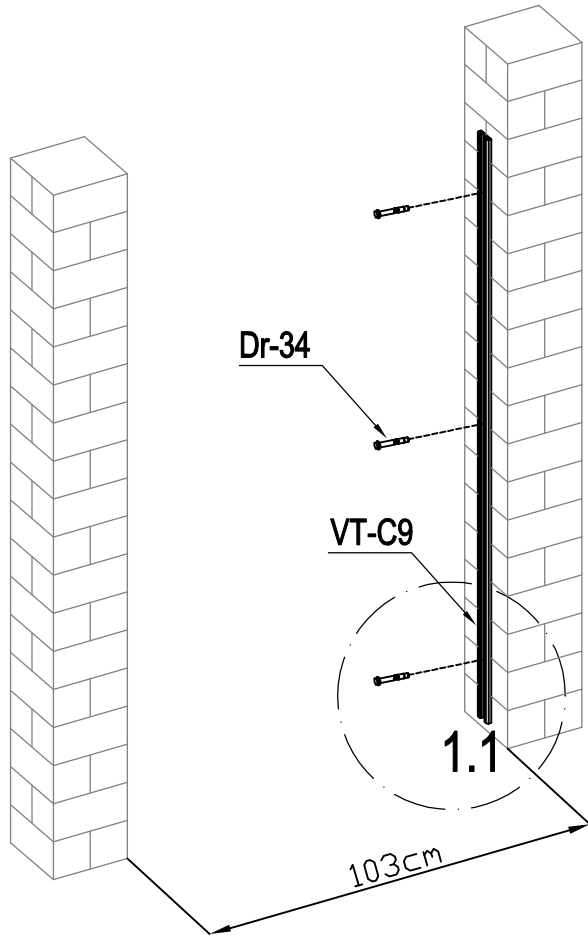
Dr-23R





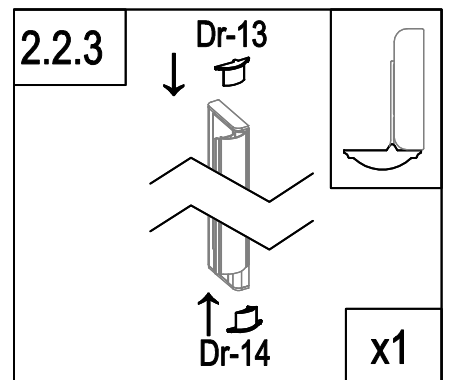
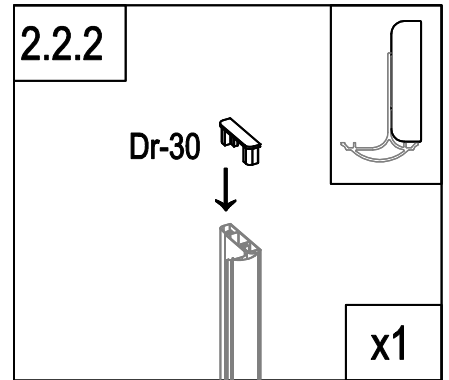
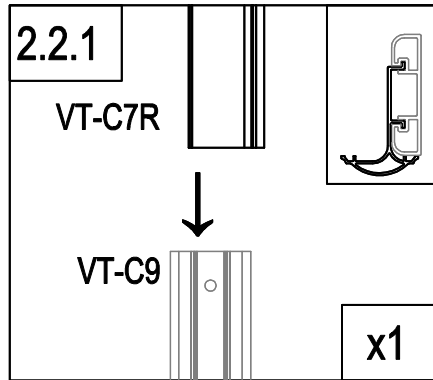
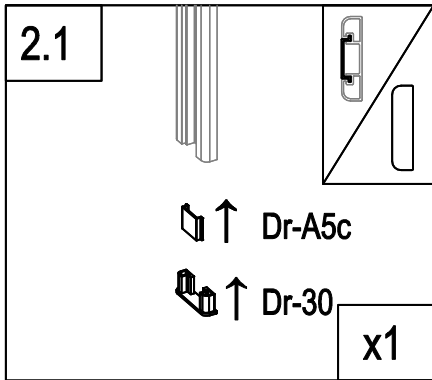
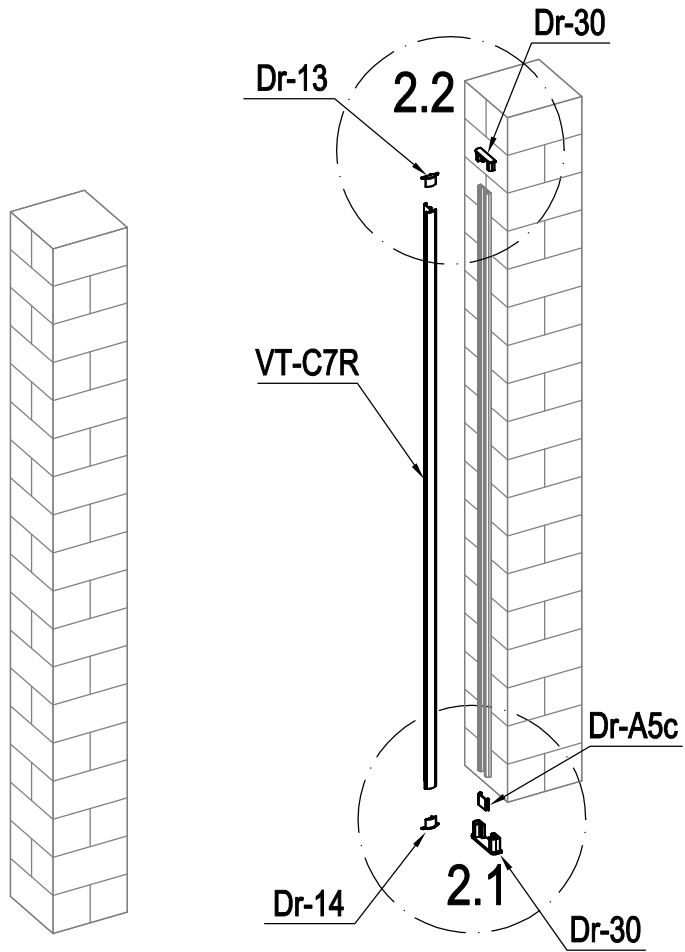
VT-C7R



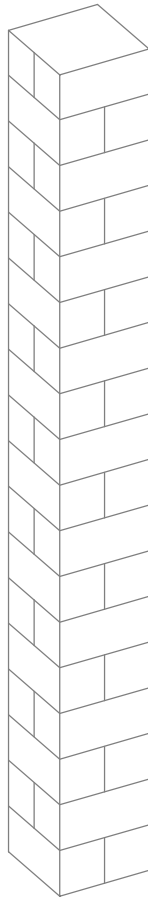
|        |   |          |    |
|--------|---|----------|----|
| VT-C7R |  | 1197mm   | x1 |
| Dr-23R |  |          | x1 |
| Dr-26  |  | ST4X12mm | x3 |
| Dr-34  |  | M6x50mm  | x3 |



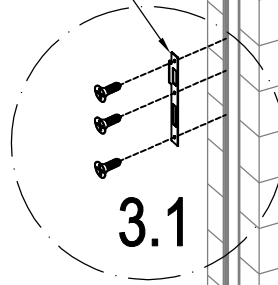
|   |       |   |
|---|-------|---|
|  | VT-C9 | 1 |
|  | Dr-34 | 3 |



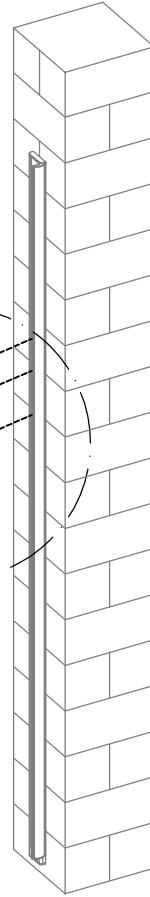
|  |        |   |
|--|--------|---|
|  | VT-C7R | 1 |
|  | Dr-13  | 1 |
|  | Dr-14  | 1 |
|  | Dr-30  | 2 |
|  | Dr-A5c | 1 |





Dr-23R



3.1



|   |        |   |
|---|--------|---|
|  | Dr-23R | 1 |
|  | Dr-26  | 3 |

3

